



Exhaust Systems Engine Mounts Carb Air Boxes

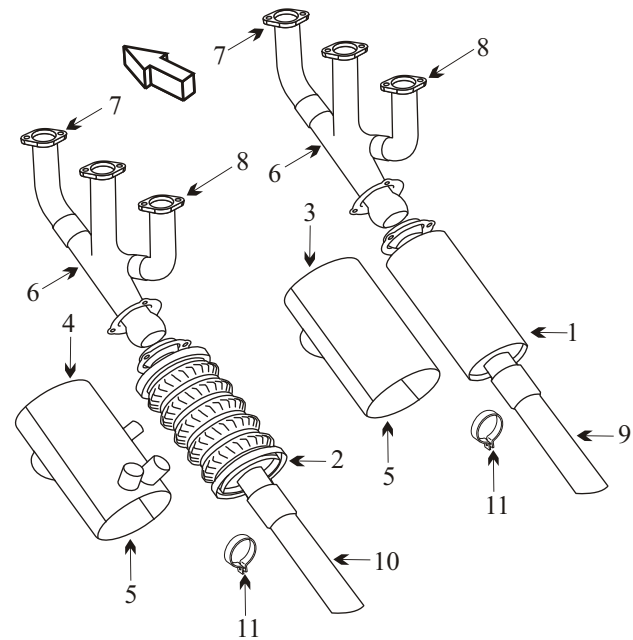
Shrouds • Seats • Piston • Turbine • Radial • Vintage • And More...



PIPER PA-24-260 COMANCHE A&B

SN 4000
TO 4803
EXCEPT 4783

Item	Part Number	Description	Code
1	26345-006	MUFFLER RIGHT HAND	
2	26345-005	MUFFLER LEFT HAND	A
3	24862-001	SHROUD TOP RIGHT	
4	24861-000	SHROUD TOP LEFT	
5	24862-000	SHROUD LOWER	
6	24770-004	STACK CENTER	
7	24770-006	RISER FRONT	
8	24770-008	RISER REAR	
9	24787-003	TAILPIPE RIGHT HAND	
10	24787-002	TAILPIPE LEFT HAND	
11	24788-000	TAILPIPE CLAMP	
-	77611	GASKET	
-	107-250	SPRING KIT	
-	21943-005	CARB AIR BOX	B
-	23114-008	INDUCTION AIR BOX	
-	25269-000	CARB AIR BOX	C
-	24815-000	ENGINE MOUNT	
-	J-3804-30	SHOCK MOUNT	
-	VARIOUS	SEAT BASE	



AD 68-05-01

Inspect exhaust system for cracks, corrosion, heat damage or weld separations.

Less than 950 hrs of operation inspect every 100 hrs.

More than 950 hrs of operation inspect every 50 hrs.

Repair or replace if defects found.

Not applicable when outlet exhaust blockage gaurd installed on tailpipes as per service letter 518

- Mufflers purchased at Acorn Welding have an internal bail to prevent outlet blockage.
- This muffler requires flame cones which are still attached to be serviceable.

Usable on Codes

- A: For SN 24-4000 to 4782 and 4784 to 4803 use on right side and left side
- B: SN 24-3642, 4000 to 4211
- C: SN 24-4212 to 4782, 4784 to 4803

- Inspect muffler for blisters or bulges under heat shroud.
- Inspect to see which of the two dimensions is applicable to your system

(toll free) 1-888-388-8803 1-780-447-5955 Fax: 1-780-447-5980
 sales@acornwelding.com parts@acornwelding.com www.acornwelding.com