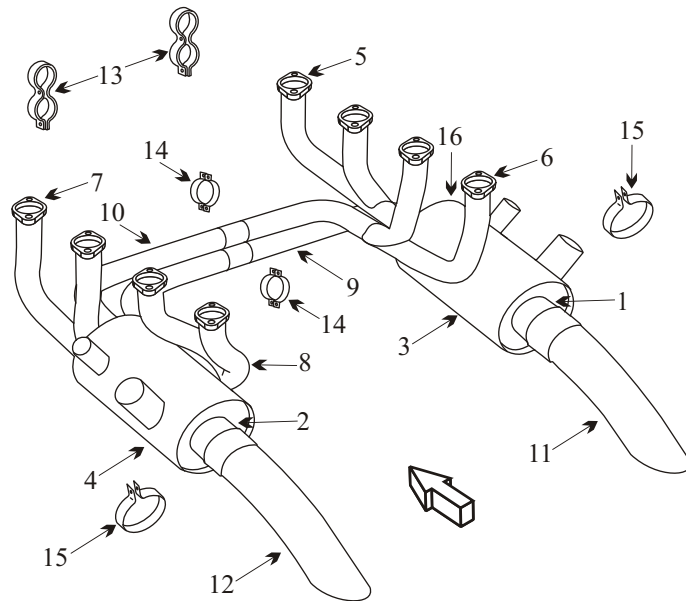


PIPER PA-24-400 COMANCHE

Item	Part Number	Description
1	24484-001	MUFFLER RIGHT HAND
2	24484-000	MUFFLER LEFT HAND
3	24281-000	SHROUD RIGHT HAND
4	24280-000	SHROUD LEFT HAND
5	23500-013	STACK ASSY RIGHT FRONT
6	23500-015	STACK ASSY RIGHT REAR
7	23500-012	STACK ASSY LEFT FRONT
8	23500-014	STACK ASSY LEFT REAR
9	23500-011	CROSSOVER TUBE RIGHT SIDE
10	23500-010	CROSSOVER TUBE LEFT SIDE
11	24513-000	TAILPIPE RIGHT HAND
12	24512-000	TAILPIPE LEFT HAND
13	24269-000	CLAMP ASSY EXHAUST STACK
14	23499-000	CLAMP EXHAUST STACK
15	21167-003	CLAMP TAILPIPE
16	24279-000	CLIP MUFFLER SHROUD
NS	23501-000	SPACER EXHAUST STACK CLAMP
NS	77611	GASKET
NS	24568-000	INDUCTION AIR CANISTER
NS	24569-000	COVER AIR CANISTER
NS	22918-000	ENGINE MOUNT
NS	J-9613-24	SHOCK MOUNT 2 REQ
NS	J-9613-9	SHOCK MOUNT 2 REQ
NS	VARIOUS	SEAT BASE



- Mufflers purchased at Acorn Welding have an internal bail to prevent outlet blockage.
- This muffler requires flame cones which are still attached to be serviceable.
- Inspect muffler for blisters or bulges under heat shroud.

(toll free) 1-888-388-8803 1-780-447-5955 Fax: 1-780-447-5980
 sales@acornwelding.com parts@acornwelding.com www.acornwelding.com