



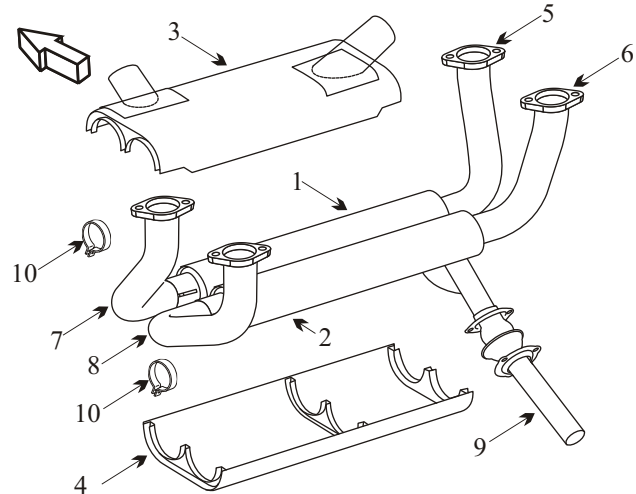
# Exhaust Systems Engine Mounts Carb Air Boxes

Shrouds • Seats • Piston • Turbine • Radial • Vintage • And More...



## PIPER PA-28-181 ARCHER III SN 2843001 AND ON SN 2890206 AND ON

Item	Part Number	Description	Code
1	85477-002	MUFFLER	
2	85477-005	MUFFLER	
3	99568-004	SHROUD TOP	
4	65543-002	SHROUD BOTTOM	
5	62230-000	RISER RIGHT FRONT	
6	62232-003	RISER RIGHT REAR	
6	62232-004	RISER RIGHT REAR	A
7	35300-000	RISER LEFT FRONT	
7	35300-002	RISER LEFT FRONT	A
8	62231-005	RISER LEFT REAR	
9	85477-009	TAILPIPE	
10	35655-002	CLAMP MUFFLER	
-	77611	GASKET	
-	85474-002	INDUCTION BOX	
-	66662-015	ENGINE MOUNT	



- Riser slip joints into muffler should move freely to avoid stress on muffler end plates and to allow for service and inspection. The riser stack ends tend to flare out and seize inside muffler preventing removal of the risers. It would be wise to check if the stacks can be removed before ordering just the muffler.

**Usable On Codes**  
A: SN 2843001 and on

- Inspect muffler for wear areas where the shroud rests on the muffler.

(toll free) 1-888-388-8803 1-780-447-5955 Fax: 1-780-447-5980  
 sales@acornwelding.com parts@acornwelding.com www.acornwelding.com