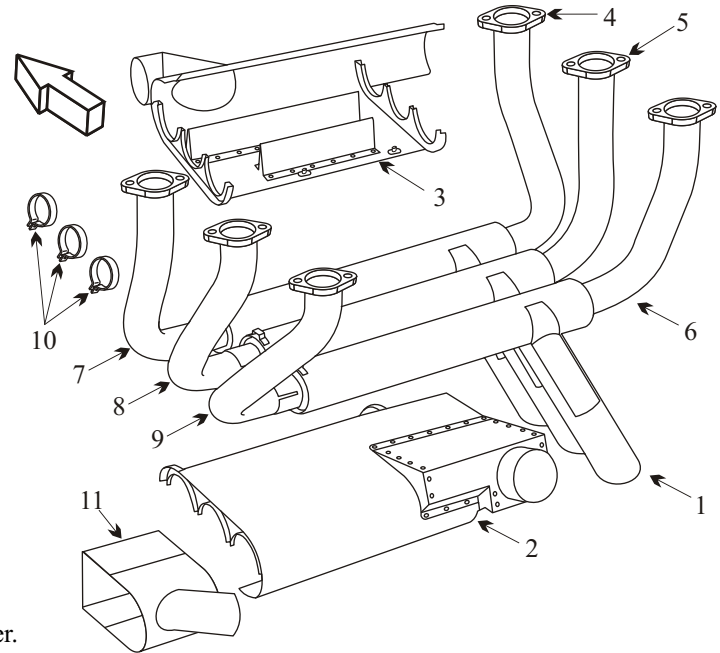


PIPER PA-28-236 DAKOTA

Item	Part Number	Description
1	67517-000	MUFFLER
2	38159-003	SHROUD TOP
3	38162-007	SHROUD BOTTOM
4	35904-006	STACK RIGHT FRONT
5	35904-007	STACK RIGHT CENTER
6	35904-008	STACK RIGHT REAR
7	35904-003	STACK LEFT FRONT
8	35904-004	STACK LEFT CENTER
9	35904-005	STACK LEFT REAR
10	63243-002	CLAMP WITH PIN 1 3/4"
11	35934-002	CARB HEAT SHROUD
-	77611	GASKET
-	35928-002	CARB AIR BOX ASSY
-	35948-006	HORN ASSY
-	35943-002	ENGINE MOUNT



● Inspect muffler for wear areas where the shroud rests on the muffler.

● Riser slip joints into muffler should move freely to avoid stress on muffler end plates and to allow for service and inspection. The riser stack ends tend to flare out and seize inside muffler preventing removal of the risers. It would be wise to check if the stacks can be removed before ordering just the muffler.

(toll free) 1-888-388-8803 1-780-447-5955 Fax: 1-780-447-5980
 sales@acornwelding.com parts@acornwelding.com www.acornwelding.com