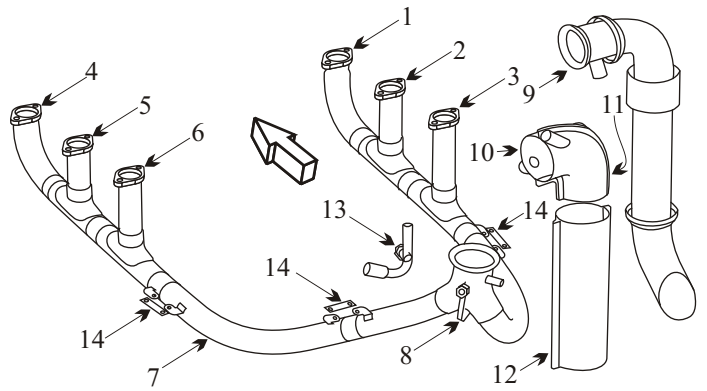


PIPER PA-28-201T (TURBO DAKOTA) PIPER PA-28R-201T (TURBO ARROW III) PIPER PA-28RT-201T (TURBO ARROW IV)

Item	Part Number	Description
1	640964-105*	RIGHT FRONT CYL #5
1	643861-105	RIGHT FRONT CYL #5 (654261)
2	640964-103*	RIGHT FRONT CYL #3
2	643861-103	RIGHT FRONT CYL #3 (654263)
3	640964-101*	RIGHT FRONT CYL #1
3	643861-101	RIGHT FRONT CYL #1 (654265)
4	640964-106*	RIGHT FRONT CYL #6
4	643861-106	RIGHT FRONT CYL #6 (654260)
5	640964-104*	RIGHT FRONT CYL #4
5	643861-104	RIGHT FRONT CYL #4 (654262)
6	640964-102*	RIGHT FRONT CYL #2
6	643861-102	RIGHT FRONT CYL #2 (654264)
7	643861-108	ELBOW LEFT HAND
7	641911-108	ELBOW LEFT HAND (654303)
8	641911-109*	TRANSITION ASSY (654304)
9	643862-020*	TAILPIPE (654301)
10	641911-110	TAILPIPE SHROUD FORWARD
11	641911-100	TAILPIPE SHROUD REAR
-	654301-200	SHROUD ELBOW ASSY
12	641911-202	TAILPIPE SHROUD LOWER
13	641911-030*	BYPASS (654302)
13	643862-135	BYPASS
14	640964-409	TIE ROD (654305)
-	640964-410	TIE ROD BUSHING
-	970	NO BLOW EXHAUST GASKET



Item	Part Number	Description
-	633358	TURBO AND TAILPIPE CLAMP
-	35706-005	INDUCTION BOX ASSY
-	35706-008	INDUCTION BOX COVER
-	35852-002	ENGINE MOUNT PA-28R-201T 7703002-7803372
★ 15	35704-002	ENGINE MOUNT PA-28R-201T 7703002-7803372 PA-28RT-201T 7931001-8031165
★ -	35704-084	ENGINE MOUNT PA-28R-201T 2803001 & ON PA-28RT-201T 8031166 & ON
-	J9613-58	SHOCK MOUNT
-	VARIOUS	SEAT FRAME

- Inspect joints for freedom of movement and distortion.
- Slip fit stacks should be ordered as a complete assembly to ensure good joint integrity with smooth slip fits.

- Inspect flow divider in tail pipe.

- ★ There is a error in Piper IPC 761-638. Extra care must be taken to ensure proper rigging of nose landing gear proxy switches. Similar rigging can be referenced from Piper or from IPC 753-582

