



Exhaust Systems Engine Mounts Carb Air Boxes

Shrouds • Seats • Piston • Turbine • Radial • Vintage • And More...



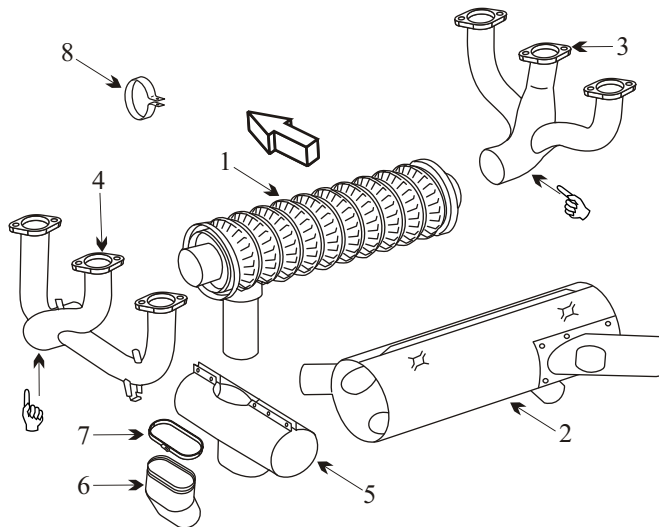
PIPER PA-32-260 CHEROKEE WITH LYCOMING O-540 ENGINE

Item	Part Number	Description	Code
1	68718-000	MUFFLER	
2	69174-000	SHROUD	
3	65039-000	STACK RIGHT HAND	
4	65038-000	STACK LEFT HAND	
5	69675-000	CARB HEAT SHROUD	
6	69677-000	TUBE ASSY CARB HEAT	
7	99289-000	CLAMP CARB HEAT SHROUD	
8	14235-003	CLAMP MUFFLER	
-	77611	GASKET	SN 32-1 450
-	65402-000	CARB AIR BOX	SN 32-451 and on
-	65402-002	CARB AIR BOX	
-	65047-000	HORN NOSE WHEEL STEERING	A
-	69768-000	HORN NOSE WHEEL STEERING	B
-	68710-000	ENGINE MOUNT	

Usable on Codes

A: PA-32-260 SN 32-1 to 7300076

B: PA-32-260 SN 32-7400001 and up,



- The muffler must have inner flame tubes still attached to be serviceable.
- Inspect muffler for blisters or bulges under heat shroud.
- ☞ This part has a hot area at the elbow. Inspect this area for black flaking metal and bulges.

(toll free) 1-888-388-8803 1-780-447-5955 Fax: 1-780-447-5980
 sales@acornwelding.com parts@acornwelding.com www.acornwelding.com