



Exhaust Systems Engine Mounts Carb Air Boxes

Shrouds • Seats • Piston • Turbine • Radial • Vintage • And More...



PIPER PA-32R-301 SARATOGA II HP

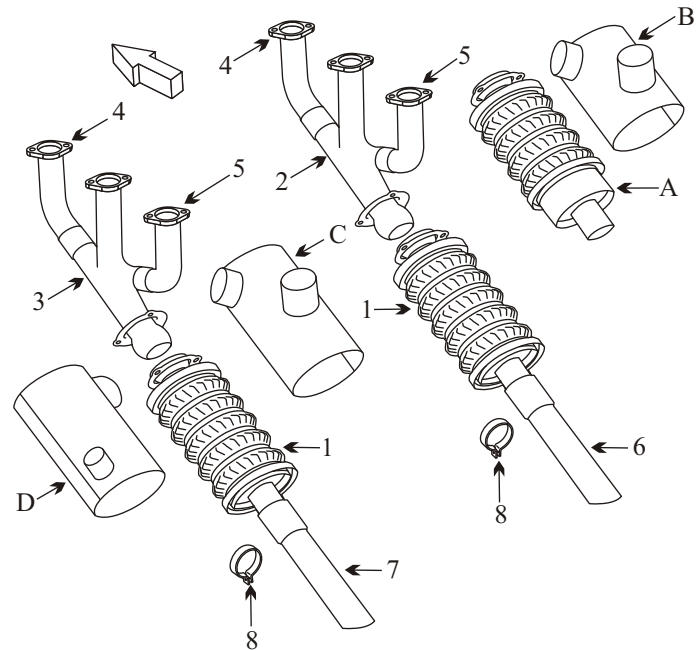
WITH LYCOMING IO-540-K165D ENGINE

SN 3213042 AND ON
3246001 AND ON

PIPER PA-32-301 FT PIPER 6X

SN 3232001 AND ON

Item	Part Number	Description
1	26345-005	MUFFLER
A	26345-008	MUFFLER (SN: 3246001 AND ON)
B	24862-026	SHROUD (SN: 3246001 AND ON)
C	24862-010	SHROUD
D	24862-020	SHROUD
2	85233-010	STACK RIGHT HAND CENTER
3	85233-004	STACK LEFT HAND CENTER
4	85233-006	RISER FRONT
5	85233-008	RISER REAR
6	24787-005	TAILPIPE RIGHT HAND
7	24787-004	TAILPIPE LEFT HAND
8	24788-000	TAILPIPE CLAMP
-	77611	GASKET
-	114-250	SPRING KIT
-	38080-022	INDUCTION AIR BOX
-	38729-019	ENGINE MOUNT SB1092
-	J-9613-19/12	SHOCK MOUNT (2 EACH)



- Mufflers purchased at Acorn Welding have an internal bail to prevent outlet blockage.
- Note: Part number 26345-008 Muffler is shorter to increase clearance between the muffler and mount. Measure length between shroud rings before ordering part.

- This muffler requires flame cones that are still attached to be serviceable.
- Inspect muffler for blisters or bulges under heat shroud.
- Inspect collector just before the ball joint for heat distortion and black flaking material.

(toll free) 1-888-388-8803 1-780-447-5955 Fax: 1-780-447-5980
 sales@acornwelding.com parts@acornwelding.com www.acornwelding.com