

PIPER PA-32R-301T SARATOGA II TC

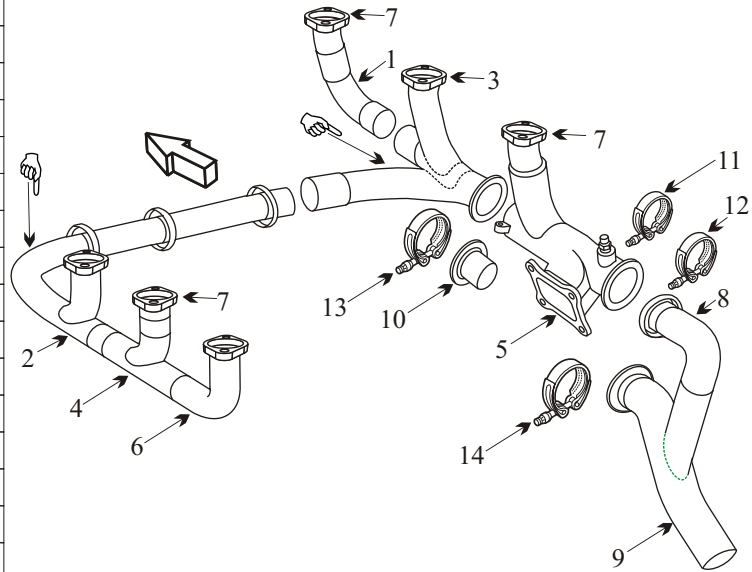
SN 3257001 AND ON

PIPER PA-32-301 XTC

SN 3255001 AND ON

WITH LYCOMING TIO-540-AH1A ENGINE

Item	Part Number	Description
1	40B22315	EXHAUST STACK CYL #1
2	40B22304	EXHAUST STACK CYL #2 (Inconel)
3	40B22303	EXHAUST STACK CYL #3
4	40B21921	EXHAUST STACK CYL #4
5	47C21912	TRANSITION CYL #5
6	40B21919	EXHAUST STACK CYL #6
7	40B19840	EXHAUST PIPE ADAPTER
8	40B22317	WASTEGATE PIPE
9	40B22316	TAILPIPE
10	40C19819	SLIP FLANGE, V-BAND
11	LW-12125-3	CLAMP FORWARD OF WASTEGATE
12	LW-12093-6	CLAMP AFT OF WASTEGATE
13	LW-12093-5	CLAMP FORWARD OF TRANSITION
14	40D23255-340M	CLAMP TAILPIPE AD 2010-13-07 Compliant
-	104697-002	SHROUD
-	77611	GASKET
-	78084	GASKET FORWARD OF TRANSITION
-	75845	GASKET WASTEGATE
-	07A22530	BRACKET TURBO MOUNT RIGHT
-	07F19871	STRUT TURBO RIGHT
-	38080-022	INDUCTION AIR BOX
-	100923-002	ALTERNATE AIR BOX ASSY SN ³²⁴⁶⁰⁰¹ and on
-	69768-000	HORN ASSY STREERING
-	38729-021	ENGINE MOUNT SN ³²⁵⁵⁰⁰¹ and on (XTC) SB1092
-	38727-022	ENGINE MOUNT SN ³²⁵⁷⁰⁰¹ and on
-	J-9613-55/19	SHOCK MOUNT SN ³²⁵⁵⁰⁰¹ and on (XTC)
-	VARIOUS	SEAT BASE



- Inspect transition header for cracks
- Inspect tail pipes for internal pitting and wall thickness especially at the outside radius, which is the thin section, and at support bracket.
- Slip fit stacks should be ordered as a complete assembly to ensure good joint integrity with smooth slip fits.

☞ This part has a hot area at the elbow. Inspect this area for black flaking metal and bulges.

AD 93-05-10
Piper PA-32R-301T
 Applies to S/N's 32R-8029001 thru 32R-8629006, 3229001 thru 3229003.
 Inspect engine mount for cracks.
 Inspection required every 100 hrs until compliance with Part 2 of Piper SB 955 accomplished.

AD 2010-13-07
 Replace all spot welded clamps (40D21162-340M and LW-12093-8) with riveted type (40D23255-340M). Ensure all slip joints have movement and flanges line up correctly.