



Exhaust Systems Engine Mounts Carb Air Boxes

Shrouds • Seats • Piston • Turbine • Radial • Vintage • And More...

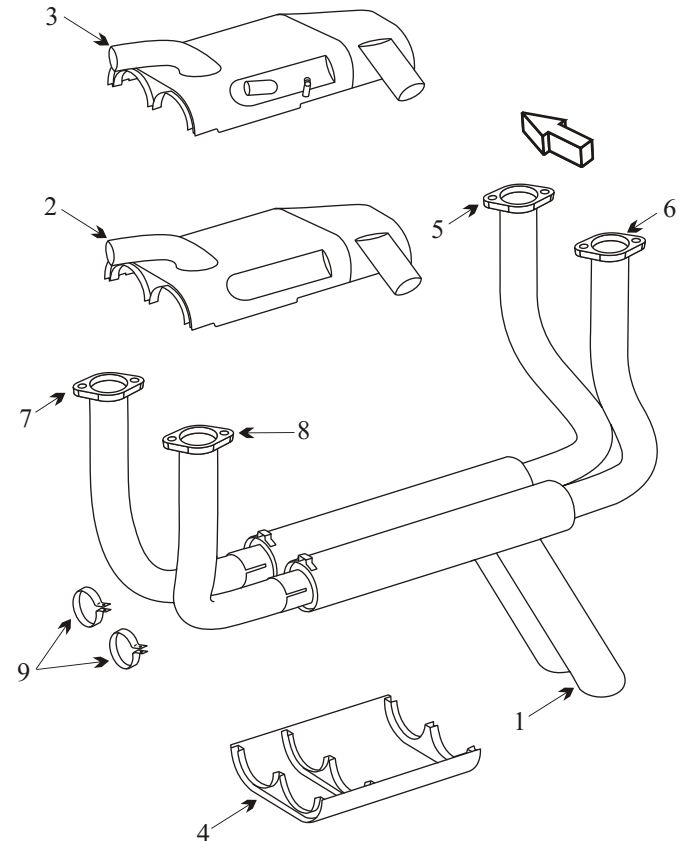


PIPER PA-38-1 1 2 TOMAHAWK

Item	Part Number	Description	Code
1	77669-002	MUFFLER	
2	77668-002	SHROUD TOP	A
3	77668-010	SHROUD TOP WITH VALVE	B
3	77668-014	SHROUD TOP WITH VALVE	C
4	77666-002	SHROUD BOTTOM	A
4	77666-003	SHROUD BOTTOM	
5	77690-002	STACK RIGHT FRONT	
6	77689-002	STACK RIGHT REAR	
7	77695-002	STACK LEFT FRONT	
8	77691-002	STACK LEFT REAR	
9	77697-002	CLAMP MUFFLER	
-	77611	GASKET	
-	77671-002	CARB AIR BOX ASSY	E
-	77671-028	CARB AIR BOX ASSY	D,E
-	77651-300	ENGINE MOUNT	
-	J-7402-16	SHOCK MOUNT	
-	VARIOUS	SEAT BASE	

Usable on Codes

- A: SN 38-78A0001 to 38-79A0014
if heater modifications kit 763-903 has been installed order PN 77668-010
- B: SN 38-79A0015 to 38-80A019 and on
- C: SN 38-81A001 and on
- D: Service Bulletin #851 attach hardware to valve in air box
- E: If carb air temp probe installed



- Riser slip joints into muffler should move freely to avoid stress on muffler end plates and allow for service and inspection. The riser stack ends tend to flare out inside the muffler and seize, preventing removal of the risers. It would be wise to check if stacks can be removed from the muffler before ordering just the muffler.
- Inspect muffler for wear areas where the shroud rests on the muffler.

(toll free) 1-888-388-8803 1-780-447-5955 Fax: 1-780-447-5980
 sales@acornwelding.com parts@acornwelding.com www.acornwelding.com