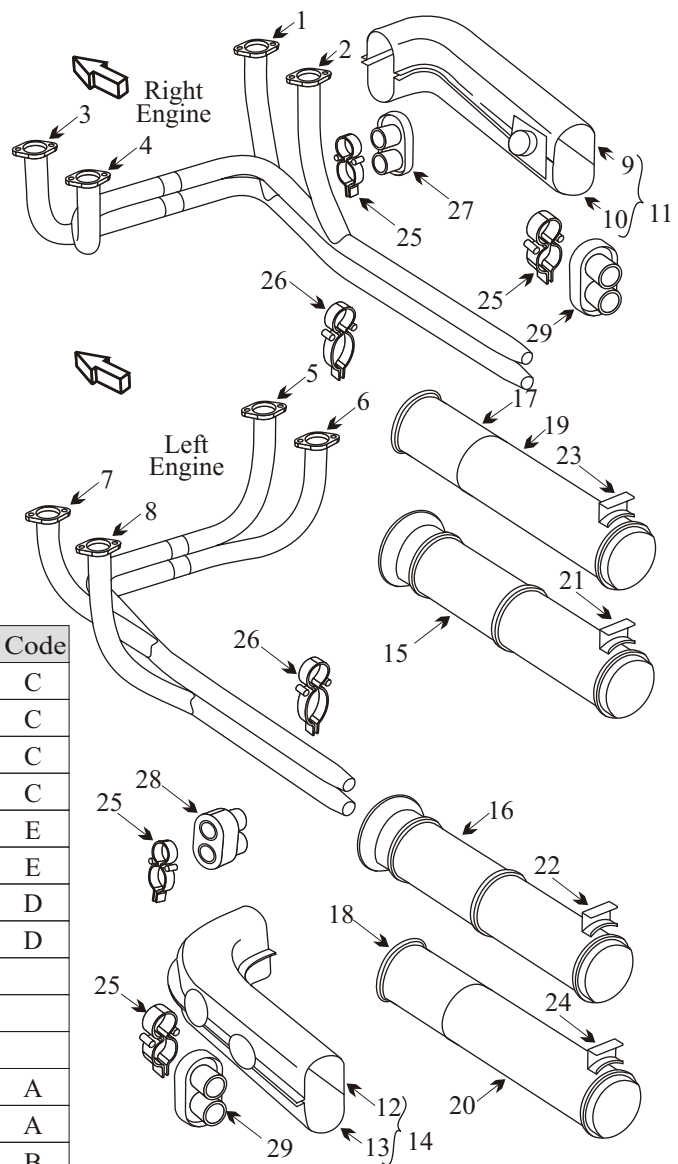


PIPER PA-23-150/160 APACHE

Item	Part Number	Description	Code
1	18028-012	STACK RIGHT ENGINE RIGHT FRONT	A
1	18028-017	STACK RIGHT ENGINE RIGHT FRONT	
2	18028-014	STACK RIGHT ENGINE RIGHT REAR	
3	18028-016	STACK RIGHT ENGINE LEFT FRONT	
4	18028-015	STACK RIGHT ENGINE LEFT REAR	
5	18027-017	STACK LEFT ENGINE RIGHT FRONT	
6	18027-016	STACK LEFT ENGINE RIGHT REAR	
7	18027-018	STACK LEFT ENGINE LEFT FRONT	
8	18027-019	STACK LEFT ENGINE LEFT REAR	
9	19559-003	SHROUD RE OUTBOARD TOP	
10	19559-005	SHROUD RE OUTBOARD BOTTOM	
11	754-201	SHROUD ASSY RIGHT HAND	
12	19558-003	SHROUD LE OUTBOARD TOP	
13	19558-005	SHROUD LE OUTBOARD BOTTOM	
14	754-200	SHROUD ASSY LEFT HAND	
15	18518-003	TUBE ASSY RE EXHAUST EJECTOR	
16	18518-002	TUBE ASSY LE EXHAUST EJECTOR	
17	19612-001	TUBE ASSY RE EXHAUST EJECTOR FRONT	Code C
18	19612-000	TUBE ASSY LE EXHAUST EJECTOR FRONT	C
19	19613-001	TUBE ASSY RE EXHAUST EJECTOR REAR	C
20	19613-000	TUBE ASSY LE EXHAUST EJECTOR REAR	C
21	18117-001	BRACKET RIGHT ENGINE SUPPORT CLAMP	E
22	18117-000	BRACKET LEFT ENGINE SUPPORT CLAMP	E
23	19607-001	BRACKET RIGHT ENGINE SUPPORT CLAMP	D
24	19607-000	BRACKET LEFT ENGINE SUPPORT CLAMP	D
25	18241-000	CLAMP EXHAUST STACK SHROUD	
26	18934-000	CLAMP EXHAUST STACK SHROUD	
-	77611	GASKET	
-	18632-000	CARB AIR BOX LEFT HAND SN ²³⁻¹ ₂₃₋₁₁₅₁	A
-	18632-001	CARB AIR BOX RIGHT HAND SN ²³⁻¹ ₂₃₋₁₁₅₁	A
-	19318-000	CARB AIR BOX LEFT HAND 160 SN ²³⁻¹¹⁵² ₂₃₋₁₇₁₈	B
-	19318-001	CARB AIR BOX RIGHT HAND 160 SN ²³⁻¹¹⁵² ₂₃₋₁₇₁₈	B
-	19318-006	CARB AIR BOX LEFT HAND 150 SN ²³⁻¹¹⁶⁴ _{and on}	
-	19318-007	CARB AIR BOX RIGHT HAND 150 SN ²³⁻¹¹⁶⁴ _{and on}	
-	19650-000	CARB AIR BOX LEFT HAND 160 SN ²³⁻¹⁷¹⁹ _{and on}	
-	19650-001	CARB AIR BOX RIGHT HAND 160 SN ²³⁻¹⁷¹⁹ _{and on}	
-	EXHAUST	SYSTEM O360 SEGUIN CONVERSION 180HP	
-	EXHAUST	SYSTEM IO360 MILLER CONVERSION 200HP	
-	EXHAUST	SYSTEM O360 TURBO CONVERSION T200HP	
-	17137-001	ENGINE MOUNT RIGHT HAND	
-	17137-000	ENGINE MOUNT LEFT HAND	
-	17137-001/O360	ENGINE MOUNT RH SEGUIN CONVERSION	
-	17137-000/O360	ENGINE MOUNT LH SEGUIN CONVERSION	
-	17137-001/IO360	ENGINE MOUNT RH MILLER CONVERSION	
-	17137-000/IO360	ENGINE MOUNT LH MILLER CONVERSION	
-	J-1552-K	SHOCK MOUNT	
-	J-6230-I	SHOCK MOUNT	
-	16073-000	SUPPORT ASSY RIGHT HAND	
-	16073-001	SUPPORT ASSY LEFT HAND	
-	VARIOUS	SEAT BASE	



Item	Part Number	Description
27	19556-006	PLATE EXHAUST STACK SHROUD END, LEFT
28	19556-005	PLATE EXHAUST STACK SHROUD END, RIGHT
29	19555-005	PLATE EXHAUST STACK SHROUD END

Usable on Codes

A: Use 19318-000 left or 19318-001 right if high temperature carburetor kits 754171 or 754173 has been installed

B: Can also be used on 150HP SN 23-1152-1163 unless converted to 3800 IB gross weight then use PN 19318-007 & 19318-006

C: SN 23-11502 and on

D: SN 23-1152 and on

E: SN 23-1 to SN 23-1151

● Inspect stack area covered by carburetor heat shrouds for heat distortion.