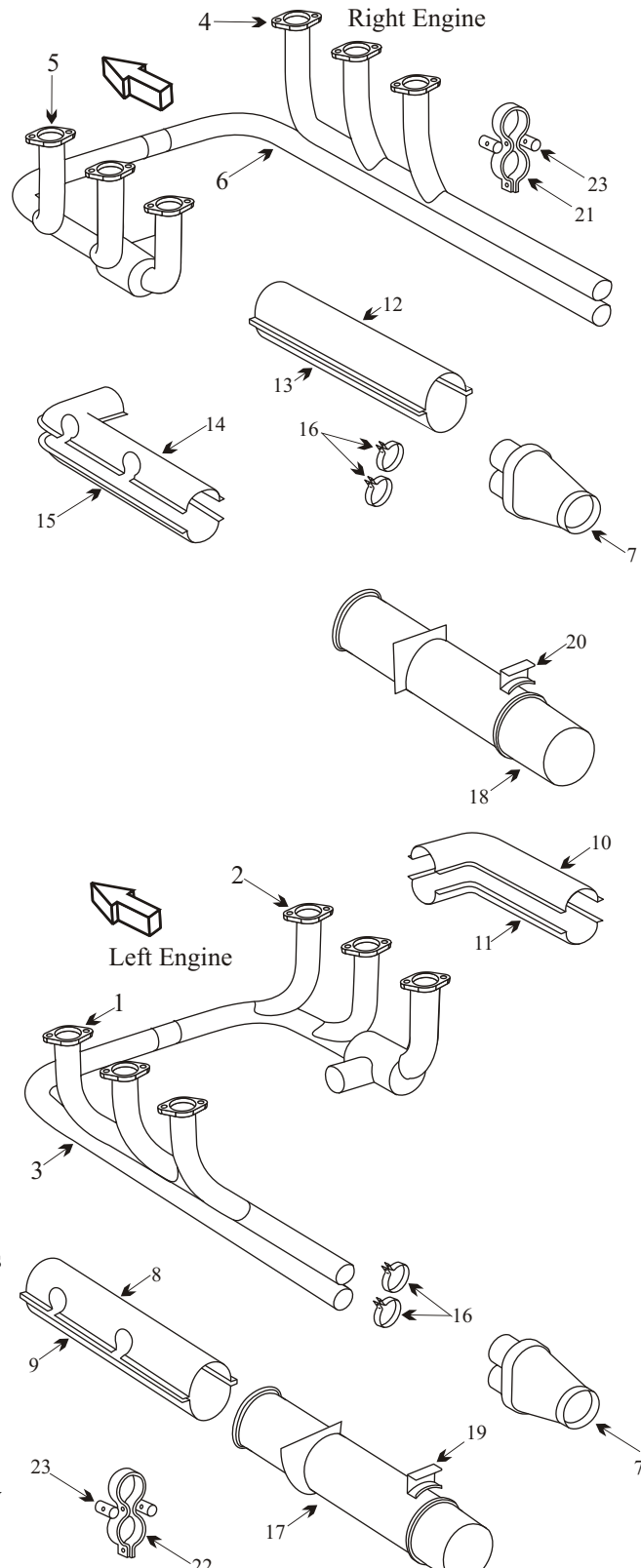


PIPER PA-23-250 B AZTEC WITH LYCOMING O540 ENGINE

Item	Part Number	Description
1	30348-013	STACK OUTBOARD LEFT ENGINE
2	30348-014	STACK INBOARD LEFT ENGINE
3	30348-002	CROSSOVER LEFT ENGINE
4	30349-009	STACK OUTBOARD RIGHT ENGINE
5	30349-010	STACK INBOARD RIGHT ENGINE
6	30349-008	CROSSOVER RIGHT ENGINE
7	16392-011	NOZZLE ASSY
8	16556-003	SHROUD TOP OUTBOARD LEFT ENG
9	16556-005	SHROUD BOTTOM OUTBOARD LEFT ENG
10	16547-008	SHROUD TOP INBOARD LEFT ENG
11	16547-009	SHROUD BOTTOM INBOARD LEFT ENG
12	16565-003	SHROUD TOP OUTBOARD RIGHT ENG
13	16565-005	SHROUD BOTTOM OUTBOARD RIGHT ENG
14	16571-008	SHROUD TOP INBOARD RIGHT ENG
15	16571-009	SHROUD BOTTOM INBOARD RIGHT ENG
-	16548-000	BRACKET INBOARD SHROUD SPACER
-	16560-005	BRACKET OUTBOARD SHROUD SPACER
-	77611	GASKET
16	14235-010	CLAMP EXHAUST STACK
17	16418-008	TUBE ASSY EJECTOR LEFT HAND
18	16418-007	TUBE ASSY EJECTOR RIGHT HAND
19	16419-000	BRACKET EJECTOR SUPPORT LEFT HAND
20	16419-001	BRACKET EJECTOR SUPPORT RIGHT HAND
21	18241-000	CLAMP EXHAUST RIGHT HAND ENGINE
22	80002-071	CLAMP EXHAUST LEFT HAND ENGINE
23	18242-002	PIN EXHAUST STACK CLAMP
-	16463-009	CARB AIR BOX ASSY (SB-214)
-	16203-000	ENGINE MOUNTS LEFT HAND
-	16203-001	ENGINE MOUNTS RIGHT HAND
-	J-3804-20	SHOCK MOUNT
-	16073-000	SUPPORT ASSY LEFT HAND
-	16073-001	SUPPORT ASSY RIGHT HAND
-	VARIOUS	SEAT BASE



- Inspect under the attached carburetor heat support can for blisters and cracks.
- Inspect wear areas on the aluminum shroud at shroud ring areas.
- Inspect joints for freedom of movement and distortion.
- Inspect for clearance around the front crossover. This area is usually tight but should not be rubbing on the cowling.