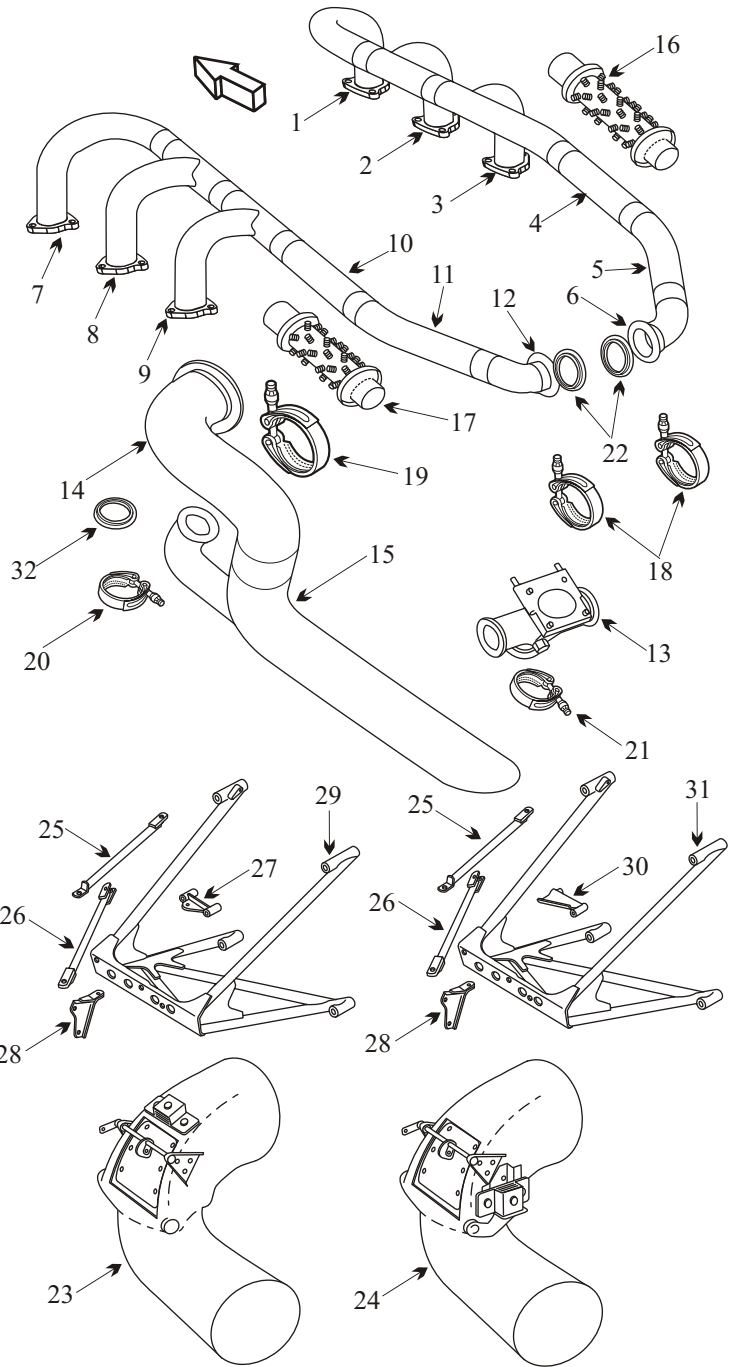


PIPER PA-31-310/325 NAVAJO

Item	Part Number	Description
1	LW-10159	RISER RIGHT HAND FRONT
2	LW-10160	RISER RIGHT HAND CENTER
3	LW-10161	RISER RIGHT HAND REAR
4	LW-15850	TUBE INTERMEDIATE RIGHT FRONT
5	LW-16792	ELBOW INTERMEDIATE RIGHT CENTER
6	LW-16793	ELBOW INTERMEDIATE RIGHT REAR
7	LW-10164	RISER LEFT HAND FRONT
8	LW-10163	RISER LEFT HAND CENTER
9	LW-10162	RISER LEFT HAND REAR
10	LW-15849	TUBE INTERMEDIATE LEFT FRONT
11	LW-16789	ELBOW INTERMEDIATE LEFT CENTER
12	LW-16790	ELBOW INTERMEDIATE LEFT REAR
13	LW-12127	TRANSITION WITH STUDS
14	40310-008	UPPER TAILPIPE (488-042)
15	40310-009	LOWER TAILPIPE (488-043)
16	6300	HEATER PIPE RIGHT HAND FRONT
17	6100	HEATER PIPE LEFT HAND FRONT
18	LW-12093-5	CLAMP ELBOW TO TRANSITION
19	557-584	CLAMP TAILPIPE (NH1005834-10)
19	555-511	CLAMP TAILPIPE (MVT69861-377)
20	LW-12125-3	CLAMP TURBO BYPASS TOP
21	LW-12093-6	CLAMP TURBO BYPASS BOTTOM
22	78083	GASKET ELBOW TO TRANSITION
-	LW-15619	GASKET MANIFOLD (STANDARD)
-	LW-15486	GASKET MANIFOLD (NO BLOW)
-	75845	GASKET WASTEGATE
23	41567-000	INDUCTION AIR TUBE PA-31-310
24	54916-002	INDUCTION AIR TUBE PA-31-325
25	LW-18248	ROD TURBO SUPPORT RIGHT HAND
26	LW-16965	ROD TURBO SUPPORT LEFT HAND
27	76770	BRACKET SUPPORT ROD PA-31-310
28	LW-10119	BRACKET TOP SUPPORT
29	LW-15952	TURBO SUPPORT MOUNT PA-31-310
30	LW-18459	BRACKET SUPPORT ROD PA-31-325
31	LW-12339	TURBO SUPPORT MOUNT PA-31-325
32	24096-225N	GASKET BY PASS
-	40007-007	ENGINE MOUNT
-	J-9612-8	SHOCK MOUNT
-	J-7763-1	SHOCK MOUNT
-	VARIOUS	SEAT BASE



- Inspect two piece tailpipes to ensure that they can be disassembled and the ends are standard nominal dimensions. This will determine if the new ordered stack will fit into the old stack.
- Inspect joints for freedom of movement and distortion.
- Inspect tail pipes for internal pitting and wall thickness especially at the outside radius, which is the thin section, and at support bracket.
- Inspect transition header for cracks
- Slip fit stacks should be ordered as a complete assembly to ensure good joint integrity with smooth slip fits.

AD 82-16-05
Applies to S/N's 31-2 thru 31-8312019 equipped with P/N's 455-301, 555-376, 555-511 or 555-366 couplings. Remove exhaust couplings and tailpipe and inspect V-band segments for cracks. Inspect flanges for cracks or distortion. Inspection required every 100 hrs of operation.

AD 2003-24-07
Applies to S/N's 31-2 thru 31-8312019. Inspect rudder torque tube and associated ribs for corrosion. Repair or replace rib/rudder torque assembly. Inspection required every 12 months.