



# Exhaust Systems Engine Mounts Carb Air Boxes

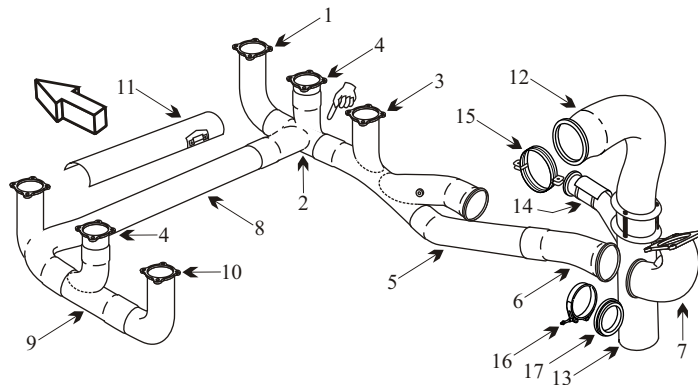
Shrouds • Seats • Piston • Turbine • Radial • Vintage • And More...



## PIPER PA-31 P-350 MOJAVE

WITH LYCOMING TIO/LTIO-540-V2AD ENGINE

Item	Part Number	Description
1	LW-18441	EXHAUST PIPE CYL #1
2	LW-18951	EXHAUST PIPE CYL #3
3	LW-18445	EXHAUST PIPE CYL #5
3	40B19815	EXHAUST PIPE CYL #5 <small>TIO-540-W2A Engine Only</small>
4	LW-18440	EXHAUST PIPE ADAPTER
5	LW-18514	EXHAUST PIPE INTER RIGHT
6	LW-18513	EXHAUST PIPE TRANSITION
7	LW-18588	TRANSITION
8	LW-18952	EXHAUST PIPE CYL #2
9	LW-18444	EXHAUST PIPE CYL #4
10	LW-18446	EXHAUST PIPE CYL #6
11	LW-18439	HEAT SHIELD
12	01439-004	TAILPIPE UPPER
13	01439-002	TAILPIPE LOWER
14	01439-003	TAILPIPE WASTEGATE
15	NH1005798-10	CLAMP TAILPIPE
16	LW-12093-7	CLAMP V-BAND
17	LW-18526	GASKET
-	LW-18234	GASKET
-	LW-18541	TURBO SUPPORT MOUNT
-	01272-002	ENGINE MOUNT
-	VARIOUS	SEAT BASE



- Inspect joints for freedom of movement and distortion.
- Inspect tailpipes for internal pitting and wall thickness especially at the outside radius, which is the thin section, and at support bracket.
- Slip fit stacks should be ordered as a complete assembly to ensure good joint integrity with smooth slip fits.

☞ Check this area for distortion

(toll free) 1-888-388-8803 1-780-447-5955 Fax: 1-780-447-5980  
 sales@acornwelding.com parts@acornwelding.com www.acornwelding.com