



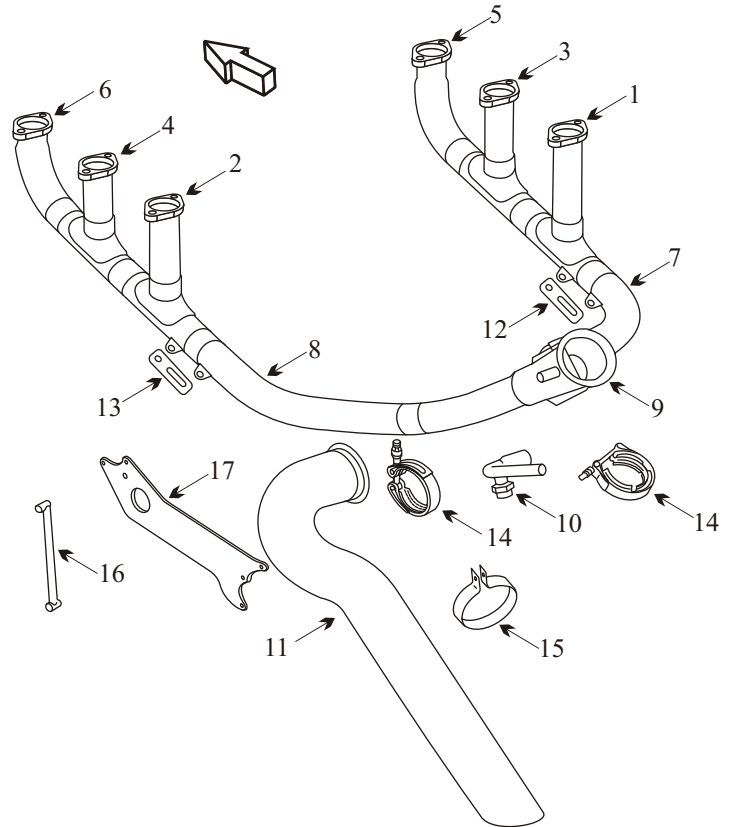
Exhaust Systems Engine Mounts Carb Air Boxes

Shrouds • Seats • Piston • Turbine • Radial • Vintage • And More...



PIPER PA-34-200T SENECA II PIPER PA-34-220T SENECA III/IV WITH CONTINENTAL TS10-360-KB SERIES ENGINE

Item	Part Number	Description
1	640964-101*	RIGHT REAR CYL #1
1	643861-101	RIGHT REAR CYL #1 (654265)
2	640964-102*	LEFT REAR CYL #2
2	643861-102	LEFT REAR CYL #2 (654264)
3	640964-103*	RIGHT CENTER CYL #3
3	643861-103	RIGHT CENTER CYL #3 (654263)
4	640964-104*	LEFT CENTER CYL #4
4	643861-104	LEFT CENTER CYL #4 (654262)
5	640964-105*	RIGHT FRONT CYL #5
5	643861-105	RIGHT FRONT CYL #5 (654261)
6	640964-106*	LEFT FRONT CYL #6
6	643861-106	LEFT FRONT CYL #6 (654260)
7	640964-107*	ELBOW RIGHT HAND
7	643861-117	ELBOW RIGHT HAND (656297)
8	640964-108*	ELBOW LEFT HAND
8	643861-118	ELBOW LEFT HAND (654238)
9	640964-111*	TRANSITION ASSY
9	641964-109	TRANSITION ASSY (654237)
10	640861-119	BYPASS ASSY (654274)
11	643964-110*	TAILPIPE (654270)
12	654306	TIE ROD
13	654305	TIE ROD
-	640964-410	TIE ROD BUSHING
14	653332	CLAMP V-BAND
15	641285	CLAMP TAILPIPE SUPPORT
16	641286	SUPPORT TURBO SUPPORT
17	640953	BRACKET TURBO SUPPORT
-	630365	GASKET
-	37032-004	INDUCTION AIR BOX
-	37032-003	INDUCTION AIR BOX COVER
-	95551-023	MOUNT ASSY NOSE GEAR



Item	Part Number	Description
-	85723-005	TRUNNION ASSY
-	37105-000	ENGINE MOUNT
-	J-9613-58	SHOCK MOUNT
-	VARIOUS	SEAT BASE

- Inspect joints for freedom of movement and distortion.
- Inspect bypass attach area and flow divider for cracks and distortion.
- Slip fit stacks should be ordered as a complete assembly to ensure good joint integrity with smooth slip fits.

(toll free) 1-888-388-8803 1-780-447-5955 Fax: 1-780-447-5980
 sales@acornwelding.com parts@acornwelding.com www.acornwelding.com