



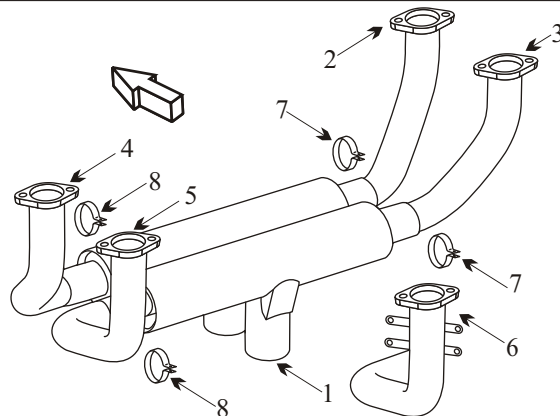
# Exhaust Systems Engine Mounts Carb Air Boxes

Shrouds • Seats • Piston • Turbine • Radial • Vintage • And More...



**PIPER PA-44-180 SEMINOLE SN 44-7995001-8195026**  
**PIPER PA-44-180 SEMINOLE SN 4495001-4495013**  
**PIPER PA-44-180 SEMINOLE SN 4496001-4496267+ON**

Item	Part Number	Description
1	86299-007	MUFFLER (INCONEL FLAME TUBES)
1	86208-008	MUFFLER (FACTORY MODIFIED AS PER SL860)
2	86202-004	STACK RIGHT FRONT
3	86202-006	STACK RIGHT REAR
3	89366-005	STACK RIGHT REAR SN <sup>44-7995001</sup> and on
4	86202-005	STACK LEFT FRONT
4	89366-003	STACK LEFT FRONT SN <sup>44-7995001</sup> and on
5	86202-007	STACK LEFT REAR
5	89366-004	STACK LEFT REAR SN <sup>44-7995001</sup> and on
6	89366-011	STACK LEFT REAR SN <sup>4496001</sup> and on
7	63243-02	CLAMP MUFFLER WITH PIN
8	36745-002	CLAMP MUFFLER NO PIN (SL860)
-	77611	GASKET
-	86245-031	CARB AIR BOX SN <sup>44-7995001</sup> to <sup>44-8195026</sup> <sup>44-8207020</sup>
-	86245-034	CARB AIR BOX SN <sup>44-7995001</sup> and on
-	86245-041	CARB AIR BOX
-	762-111	COMBUSTION TUBE ASSY
-	86212-002	ENGINE MOUNT (SB 719)
-	89361-002	ENGINE MOUNT EM SL's (SB 937/1033) SN <sup>44-7995001</sup> and on
-	89361-016	ENGINE MOUNT (SB 937/1033)



Item	Part Number	Description
-	J-9613-40	SHOCK MOUNT
-	VARIOUS	SEAT BASE

- Riser slip joints into muffler should move freely to avoid stress on muffler end plates and to allow for service and inspection. The riser stack ends tend to flare out and seize inside muffler preventing removal of the risers. It would be wise to check if the stacks can be removed before ordering just the muffler.
- This muffler has Inconel flame tubes.

(toll free) 1-888-388-8803 1-780-447-5955 Fax: 1-780-447-5980  
 sales@acornwelding.com parts@acornwelding.com www.acornwelding.com