



Exhaust Systems Engine Mounts Carb Air Boxes

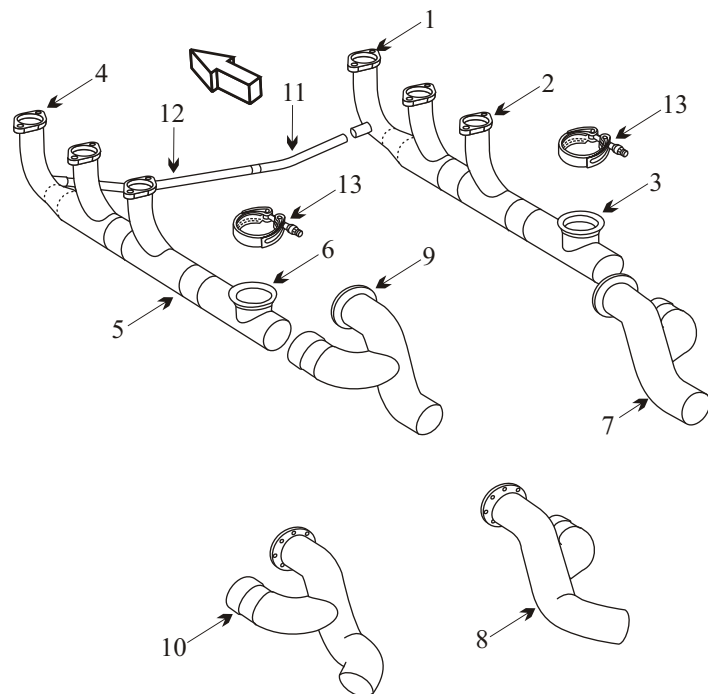
Shrouds • Seats • Piston • Turbine • Radial • Vintage • And More...



PIPER PA-60-601 & 601P AEROSTAR

WITH LYCOMING IO-540-S1A5 ENGINE

Item	Part Number	Description
1	320006-505	STACK RIGHT FRONT
2	320006-507	STACK RIGHT CENTER
3	320006-509	LOW ALTITUDE WASTEGATE RH
3	320020-02	HIGH ALTITUDE WASTEGATE RH
4	320006-513	STACK LEFT FRONT
5	320006-515	STACK LEFT CENTER
6	320006-517	LOW ALTITUDE WASTEGATE LH
6	320020-01	HIGH ALTITUDE WASTEGATE LH
7	320006-511	TAILPIPE RIGHT HAND 601
8	320006-535	TAILPIPE RIGHT HAND 601P
9	320006-519	TAILPIPE LEFT HAND 601
10	320006-533	TAILPIPE LEFT HAND 601P
11	320006-521	BALANCE TUBE LEFT HAND
12	320006-523	BALANCE TUBE RIGHT HAND
13	NH1000777-10	CLAMP WASTEGATE
-	RJ4120-11B	WASTGATE SPRING
-	77611	GASKET
-	300033-507	MOUNT ASSY TURBO
-	300033-515	STRUT ASSY TURBO
-	300057-1	SUPPORT TURBO
-	300067-1	SUPPORT TURBO
-	300068-1	STRUT ASSY TURBO
-	300033-503	MOUNT ASSY TURBO
-	300022-501	ENGINE MOUNT
-	J-9613-9	SHOCK MOUNT
-	VARIOUS	SEAT BASE



AD 87-07-09

Piper PA-60-601

Applies to S/N's 61-0001-004 thru 61-0880-8162157.

Piper PA-60-601P

Applies to S/N's 61P-0157-001 thru 61P-0860-8163455.

Clean and inspect all welds for cracks and pinholes using dye penetrant procedure.

Inspect all other exhaust parts for cracks, burns and leaks. Apply anti-seize lubricant to all slip-joints.

● Some of the parts for this aircraft are Inconel. Although Inconel is a far superior metal, it is more difficult to inspect. Inconel tends to corrode from the inside without showing signs of flaking or bulging like stainless steel. The carbon on the inside of the exhaust parts should be removed to properly inspect the components. If the welds are developing pinholes the component may not pass an internal inspection.

● Inspect the butterfly valve for cracks, warpage distortion and ensure that the spring has adequate tension.

(toll free) 1-888-388-8803 1-780-447-5955 Fax: 1-780-447-5980
 sales@acornwelding.com parts@acornwelding.com www.acornwelding.com