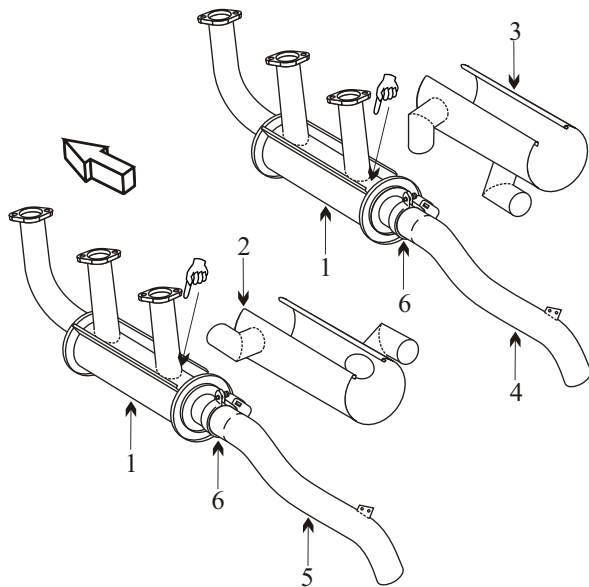


# STINSON 108-1 WITH FRANKLIN 150 HP ENGINE

# STINSON 108-2/3 WITH FRANKLIN 165 HP ENGINE

Item	Part Number	Description
1	108-6221702	MUFFLER SN <sup>108-1</sup> <sub>3109</sub>
NS	108-6222702	MUFFLER SN <sup>108-3110</sup> <sub>and on</sub>
2	108-6221209	SHROUD ASSY CABIN HEAT
3	108-6221210	SHROUD ASSY CARB HEAT SN <sup>108-1</sup> <sub>2249</sub>
NS	108-6221210-2	SHROUD ASSY CARB HEAT SN <sup>2250</sup> <sub>and on</sub>
4	108-6221711-1	TAILPIPE RIGHT HAND SN <sup>108-112</sup> <sub>3109</sub>
5	108-6221711-0	TAILPIPE LEFT HAND SN <sup>108-112</sup> <sub>3109</sub>
NS	108-6222711-1	TAILPIPE RIGHT HAND SN <sup>3110</sup> <sub>and on</sub>
NS	108-6222711-0	TAILPIPE LEFT HAND SN <sup>3110</sup> <sub>and on</sub>
6	108-6222715	CLAMP ASSY TAILPIPE
NS	108-6221807	CARB AIR BOX SN <sup>108-1</sup> <sub>2249</sub>
NS	108-6222807	CARB AIR BOX SN <sup>2250</sup> <sub>and on</sub>
NS	108-6211000	ENGINE MOUNT
NS	108-6212000	ENGINE MOUNT



- Inspect flanges for corrosion as they could be mild steel not stainless steel.
- Inspect joints for freedom of movement and distortion.

 Inspect the area where riser attaches to the body of the muffler for cracks.