



Exhaust Systems Engine Mounts Carb Air Boxes

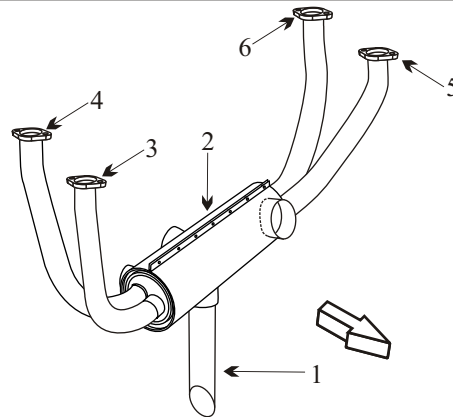
Shrouds • Seats • Piston • Turbine • Radial • Vintage • And More...



BEECHCRAFT MUSKETEER 23

SN M1095 - M1234 WITH LYCOMING O-360 ENGINE
EXCEPT M1-143 & M1-155

Item	Part Number	Description
1	169-950014-49	MUFFLER 1 5/8" INLETS
2	169-950014-41	SHROUD
-	169-950018-1	SHROUD
3	169-950017-7	RISER RIGHT FRONT
4	169-950017-13	RISER RIGHT REAR
5	169-950017-17	RISER LEFT FRONT
6	169-950017-1	RISER LEFT REAR
-	77611	GASKET
-	169-910027-139	CARB AIR BOX
-	169-910046-601	ENGINE MOUNT
-	J-7402-16	SHOCK MOUNT
-	VARIOUS	SEAT BASE



- Riser slip joints into muffler should move freely to avoid stress on muffler end plates and to allow for service and inspection. The riser stack ends tend to flare out and seize inside muffler preventing removal of the risers. It would be wise to check if the

● Inner flame tubes must be attached for the muffler to be

(toll free) 1-888-388-8803 1-780-447-5955 Fax: 1-780-447-5980
sales@acornwelding.com parts@acornwelding.com www.acornwelding.com