



Exhaust Systems Engine Mounts Carb Air Boxes

Shrouds • Seats • Piston • Turbine • Radial • Vintage • And More...

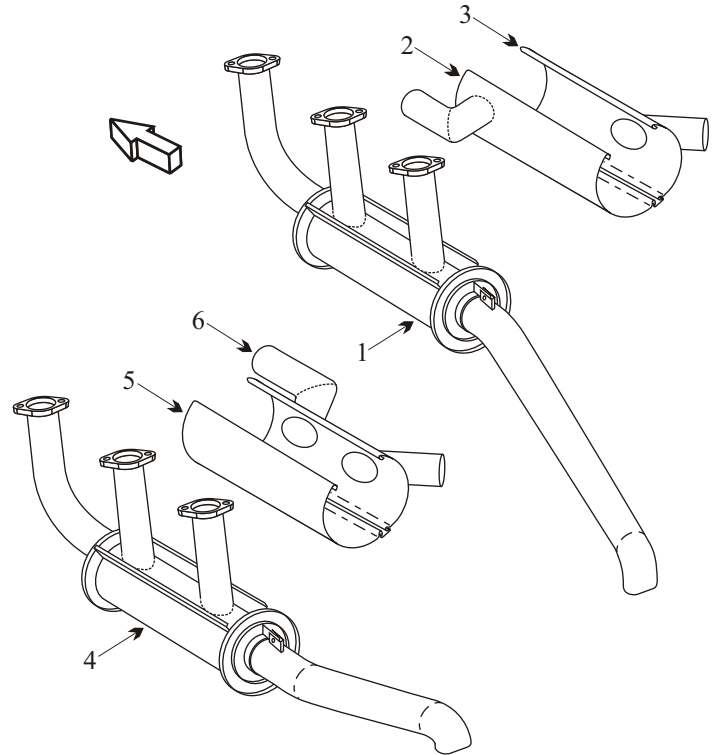


BELLANCA 14-13 CRUISAIR SENIOR

WITH FRANKLIN 150 HP ENGINE

Item	Part Number	Description
1	15062-2	MUFFLER RIGHT HAND C/W TAILPIPE
2	15067-30	SHROUD RIGHT HAND INTAKE
3	15067-60	SHROUD RIGHT HAND OUTLET
4	15062-1	MUFFLER RIGHT HAND C/W TAILPIPE
5	15067-1	SHROUD LEFT HAND OUTER
6	15067-10	SHROUD LEFT HAND OUTLET & INLET
-	9934-10	CARB AIR BOX
-	9824	ENGINE MOUNT

- Inspect area where shroud attach brackets are welded to muffler.
- Inspect flanges for corrosion as they could be mild steel not stainless steel.
- Inspect wear areas on the aluminum shroud at shroud ring areas.
- A pressure test inspection is advisable for this muffler.



(toll free) 1-888-388-8803 1-780-447-5955 Fax: 1-780-447-5980
sales@acornwelding.com parts@acornwelding.com www.acornwelding.com