



# Exhaust Systems Engine Mounts Carb Air Boxes

Shrouds • Seats • Piston • Turbine • Radial • Vintage • And More...

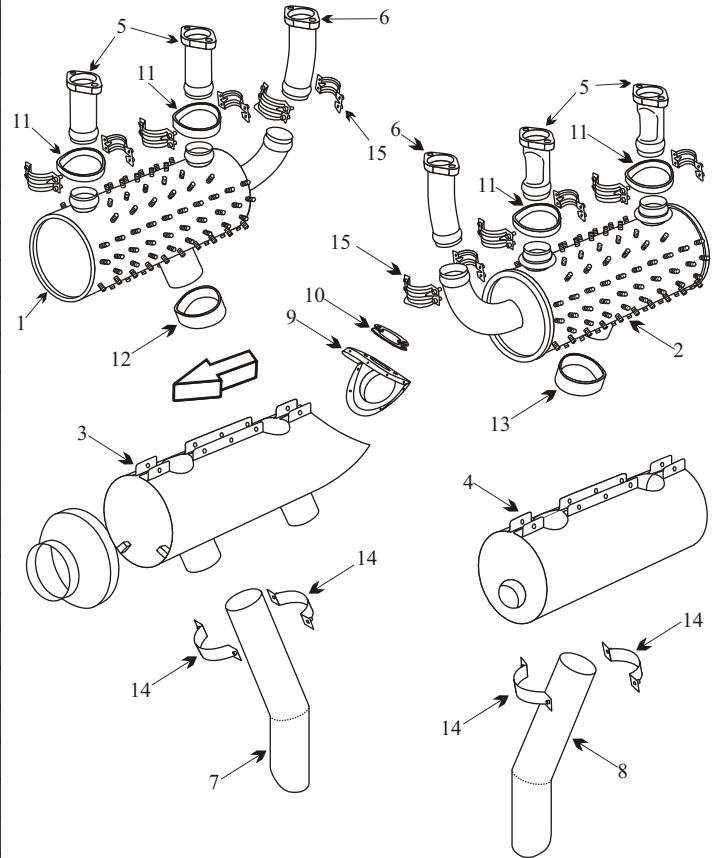


**CESSNA 170/170A/170B**  
**CESSNA 172/172A**

SN 18003-27169

SN 28000-47746

Item	Part Number	Description	
1	0550157-32	MUFFLER RIGHT HAND	
2	0550157-9	MUFFLER LEFT HAND	
3	0550157-52	SHROUD RIGHT HAND	
4	0550157-15	SHROUD LEFT HAND	
5	0550157-7	RISER STRAIGHT	
6	0550157-8	RISER CURVED	
7	0550157-33	TAILPIPE RIGHT HAND	
8	0550157-4	TAILPIPE LEFT HAND	
9	0550157-53	SHROUD CAP SHIELD	
10	0550157-23	SHIELD CAP ADAPTER	
11	0550157-29	SHROUD UPPER SEAL	
12	0550157-30	LOWER RIGHT HAND SHROUD SEAL	
13	0550157-31	LOWER LEFT HAND SHROUD SEAL	
14	0550157-5	CLAMP TAILPIPE (2 PIECE)	
15	0550176-50	CLAMP (2 PIECE)	
-	652459	GASKET	
-	0551000-50	ENGINE MOUNT	
-	H-3006-1	SHOCK MOUNTS	
-	0320 CONV	ENGINE MOUNT	
-	VARIOUS	SEAT BASE ASSY	
-	0523520-10	FUEL TANK LEFT HAND C-170	
-	0523520-11	FUEL TANK RIGHT HAND C-170	
-	0592300-6	FUEL TANK LH C-172	SN 28000 49544
-	0292300-7	FUEL TANK RH C-172	SN 28000 49544



### AD 90-06-03 R1

Applies to S/N's 36216 thru 36769 not modified with Cessna Service Kit SK-172-10 or 10A

Pressure test muffler (P/N 0550157-32) for cracks, replace if leaks found.

Install Cessna Service Kit SK-172-10A.

● Inspect muffler for wear areas where the shroud rests on the muffler.

● The muffler must have inner flame tubes still attached to be serviceable.

(toll free) 1-888-388-8803 1-780-447-5955 Fax: 1-780-447-5980  
 sales@acornwelding.com parts@acornwelding.com www.acornwelding.com