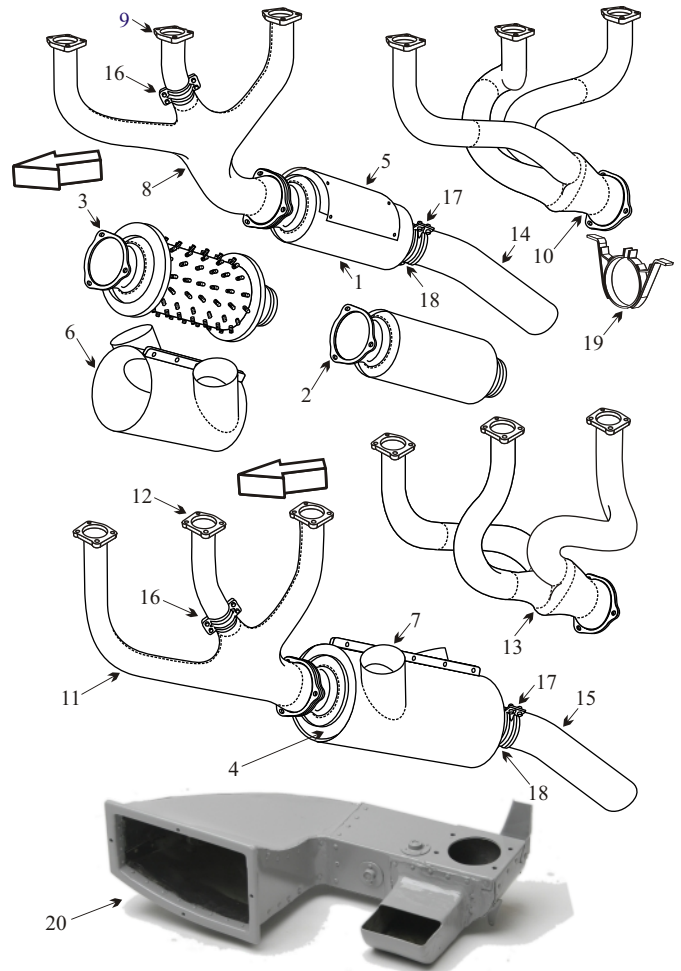


## CESSNA 205/206/207/210

| Item | Part Number   | Description  | Code |
|------|---------------|--|------|
| 1    | 1250251-13    | MUFFLER RIGHT HAND (650-99)  | A    |
| 2    | 1250251-16    | MUFFLER RIGHT HAND (650-92)  | B    |
| -    | C156020-0201  | MUFFLER RIGHT HAND   | C    |
| 3    | NAM-0301-203  | MUFFLER RIGHT HAND HEATER STC  | D    |
| 4    | 1250250-5     | MUFFLER LEFT HAND (650-43)   |      |
| -    | C156020-0101  | MUFFLER LEFT HAND  | C    |
| -    | 1250251-14    | SHROUD RH SN <sup>205-001</sup> <sub>033</sub> SN <sup>210-57841</sup> <sub>58058</sub>          |      |
| 5    | 1250251-17    | SHROUD RIGHT HAND  | A    |
| 6    | NAM-0301-201  | SHROUD RIGHT HAND HEATER STC   | J, L |
| -    | NAM-0301-204  | SHROUD RIGHT HAND HEATER STC   | I, L |
| 7    | 1250250-6     | SHROUD LEFT HAND (1254008-1)   |      |
| 7    | 1254012-10    | SHROUD LEFT HAND   | C    |
| 8    | 1250264-2     | COLLECTOR RIGHT HAND   |      |
| 9    | 1250251-9     | RISER RIGHT HAND CTR   |      |
| 10   | LEES1250257-3 | COLLECTOR RIGHT HAND STC   |      |
| 11   | 1250263-2     | COLLECTOR LEFT HAND  |      |
| 12   | 1254011-1     | RISER LEFT HAND CTR  |      |
| 13   | LEES1250256-3 | COLLECTOR LEFT HAND STC  |      |
| 14   | 1250264-6     | TAILPIPE RIGHT HAND  | F    |
| -    | 1250251-7     | TAILPIPE RIGHT HAND SN <sup>210-57841</sup> <sub>to 57999</sub>                                  | M    |
| -    | 1254004-2     | TAILPIPE RIGHT HAND SN <sup>207-0001</sup> <sub>to 0482</sub>                                    |      |
| -    | 1254004-4     | TAILPIPE RIGHT HAND SN <sup>207-483</sup> <sub>and on</sub>                                      |      |
| -    | 1250257-7     | TAILPIPE RIGHT HAND  | K    |
| 15   | 1250256-7     | TAILPIPE LEFT HAND   | G    |
| -    | 1250250-8     | TAILPIPE LEFT HAND SN <sup>210-57841</sup> <sub>to 57999</sub>                                   | M    |
| -    | 1254004-1     | TAILPIPE LEFT HAND SN <sup>207-0001</sup> <sub>to 482</sub>                                      |      |
| -    | 1254004-3     | TAILPIPE LEFT HAND SN <sup>207-483</sup> <sub>and on</sub>                                       |      |
| -    | 1242013-2     | TAILPIPE RIGHT HAND FLOAT PLANE  | H    |
| -    | 1242013-1     | TAILPIPE LEFT HAND FLOAT PLANE   | H    |
| 16   | 0750161-25    | CLAMP HALF (1250201-12)  |      |
| 17   | 1254007-1     | CLAMP (1250201-14)   |      |
| 18   | 596-11        | CLAMP (1250201-8)  |      |
| 19   | 1250259-1     | BRACKET SUPPORT  |      |
| -    | 628260        | GASKET   |      |
| -    | 1250700-1     | INDUCTION AIR BOX SN <sup>205-001</sup> <sub>034</sub> SN <sup>210-57841</sup> <sub>58085</sub>  |      |
| -    | 1250700-4     | INDUCTION AIR BOX SN <sup>205-035</sup> <sub>0577</sub> SN <sup>210-58086</sup> <sub>58220</sub> |      |
| 20   | 1250700-5     | INDUCTION AIR BOX SN <sup>U2060001</sup> <sub>00914</sub>  |      |
| -    | 1250700-7     | INDUCTION AIR BOX SN <sup>U20600915</sup> <sub>02199</sub>                                       |      |
| -    | 1250702-2/4   | INDUCTION AIR BOX SN <sup>U20602200</sup> <sub>07020</sub>                                       |      |
| -    | 1250702-5     | INDUCTION AIR BOX SN <sup>20700001</sup> <sub>00788</sub>  |      |
| -    | 1250717-1     | INDUCTION AIR BOX SN <sup>210-58221</sup> <sub>58936</sub>                                       |      |
| -    | 1250717-2/3   | INDUCTION AIR BOX SN <sup>210-58937</sup> <sub>59199</sub>                                       |      |
| -    | 1250707-4     | INDUCTION AIR BOX SN <sup>210-59200</sup> <sub>61039</sub>                                       |      |
| -    | 1250700-8     | INDUCTION AIR BOX SN <sup>210-61040</sup> <sub>61614</sub>                                       |      |
| -    | 1250702-1     | INDUCTION AIR BOX SN <sup>210-61615</sup> <sub>64535</sub>                                       |      |
| -    | 1250702-3     | INDUCTION AIR BOX SN <sup>210-64536</sup> <sub>65009</sub>                                       |      |
| -    | 011-250       | SPRING KIT - 206/207/210   |      |
| -    | VARIOUS       | SEAT BASE  |      |



### Cessna 206/U206

AD 85-10-02

Applies S/N's 206-0001 thru U20606065 with Continental IO-520 engines.

Inspect engine induction air box outboard duct for cracks. Inspection required for each 100 hrs of operation till repaired or replaced.

### Cessna 207/207A

AD 85-10-02

Applies S/N's 20700001 thru 20700681 with Continental IO-520 engines.

### Cessna 210

AD 85-10-02

Applies S/N's 21058221 thru 21064226 with Continental IO-520 engines.

### Usable on Codes

A: C-205 SN 034 to 577 C-206 SN 0001-3020, C-207ALL, C-210 SN 21057841-8085

B: C-206 SN 3021-5919, C-207 SN 0001-0654, C-210 SN 580861-64135

C: C-206 SN 5920 to 7920, C-207 SN 5920 to 7920, C-210 SN 64136 and on

D: C-206 SN 0001 to 7020, C-207 all

E: C-206 SN 2200 to 7020, C-210 SN 59200 and on

F: C-206 SN 2200 to 7020, C-210 SN 59200 and on

G: C-205 C-206 SN 0001 to 7020, C-210 SN 5800 and on

H: C-206 SN 0001 to 7020

I: C-206 SN 3522 to 7020

J: C-206 SN 0001 to 3521, C-207 SN 0001-0788

K: C-205 ALL, C-206 SN 001 to 2199, C-210 SN 5800 and on

L: Acorn Welding manufactured a complete R/H heater installation for Northern Aviation Maintenance for extra cabin heat on cold days.

M: Pre SK210-36 only.

● Mufflers purchased at Acorn have an internal bail to prevent outlet blockage.

● Inspect muffler for blisters or bulges under heat shroud.

● Inspect internal baffles for cracks and distortion.