



Exhaust Systems Engine Mounts Carb Air Boxes

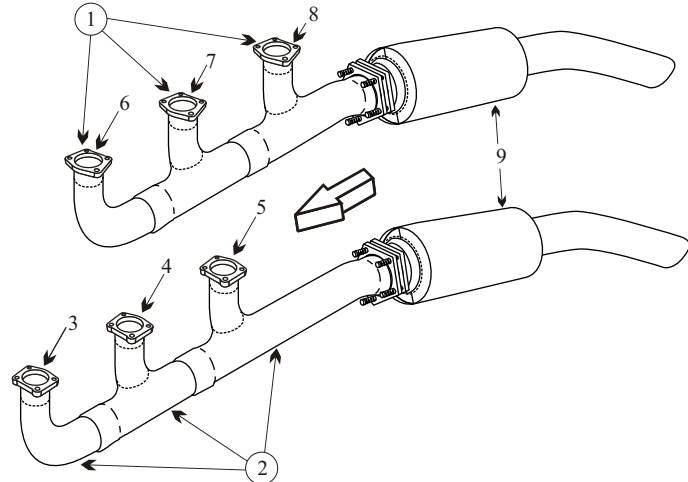
Shrouds • Seats • Piston • Turbine • Radial • Vintage • And More...



CESSNA 310R

WITH CONTINENTAL IO 520 ENGINE

Item	Part Number	Description
1	9910295-14/30	STACK ASSY RIGHT HAND
2	9910295-13/29	STACK ASSY LEFT HAND
3	9910295-17/33	STACK LEFT HAND FWD
4	9910295-19/35	STACK LEFT HAND CTR
5	9910295-21/37	STACK LEFT HAND AFT
6	9910295-18/34	STACK RIGHT HAND FWD
7	9910295-20/36	STACK RIGHT HAND CTR
8	9910295-22/38	STACK RIGHT HAND AFT
9	9910297-1/3	MUFFLER RH AND LH
-	628260	GASKET
-	011-252	SPRING KIT
-	0852593-1	CANISTER ASSY LEFT HAND SN ^{R0001} _{R1254}
-	0852593-2	CANISTER ASSY RIGHT HAND SN ^{R0001} _{R1254}
-	0852593-35	CANISTER ASSY LEFT HAND SN ^{R1255} _{and on}
-	0852593-36	CANISTER ASSY RIGHT HAND SN ^{R1255} _{and on}
-	VARIOUS	SEAT BASE



- This muffler requires flame cones that are still attached to be serviceable.
- Slip fit stacks should be ordered as a complete assembly to ensure good joint integrity with smooth slip fits.

(toll free) 1-888-388-8803 1-780-447-5955 Fax: 1-780-447-5980
 sales@acornwelding.com parts@acornwelding.com www.acornwelding.com