



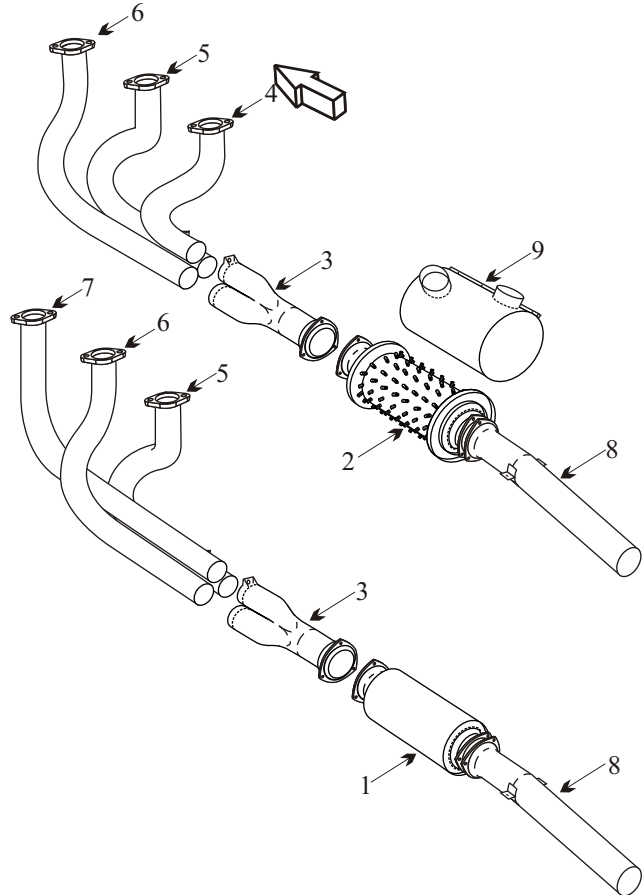
Exhaust Systems Engine Mounts Carb Air Boxes

Shrouds • Seats • Piston • Turbine • Radial • Vintage • And More...



CIRRUS DESIGN SR20 SN 1005-1422

Item	Part Number	Description
1	11885-002	MUFFLER
2	11884-003	HEAT EXCHANGER
3	10358-002	COLLECTOR ASSY
4	10355-003	HEADER CYL #1
5	10353-002	HEADER CYL #2 & #3
6	10351-002	HEADER CYL #4 & #5
7	10349-003	HEADER CYL #6
8	11833-004	TAILPIPE
9	10869-002	SHROUD
-	77611	GASKET
-	11925-003	ENGINE MOUNT SN ¹⁰⁰⁵ / ₁₂₆₇
-	11925-004	ENGINE MOUNT SN ¹²⁶⁸ / _{and on}
-	J-9613-58	SHOCK MOUNT
-	350-250	SPRING KIT



● Inner flame tubes must be attached for the muffler to be serviceable.

● Inspect the stack to collector mounting tabs for cracks.

AD 2008-11-18

Inspect and Replace muffler(11885-002) and Shroud(10869-001) on aircraft S/N 1005-1815 with new units as per Cirrus SB 2X-78-07 R1

(toll free) 1-888-388-8803 1-780-447-5955 Fax: 1-780-447-5980
 sales@acornwelding.com parts@acornwelding.com www.acornwelding.com