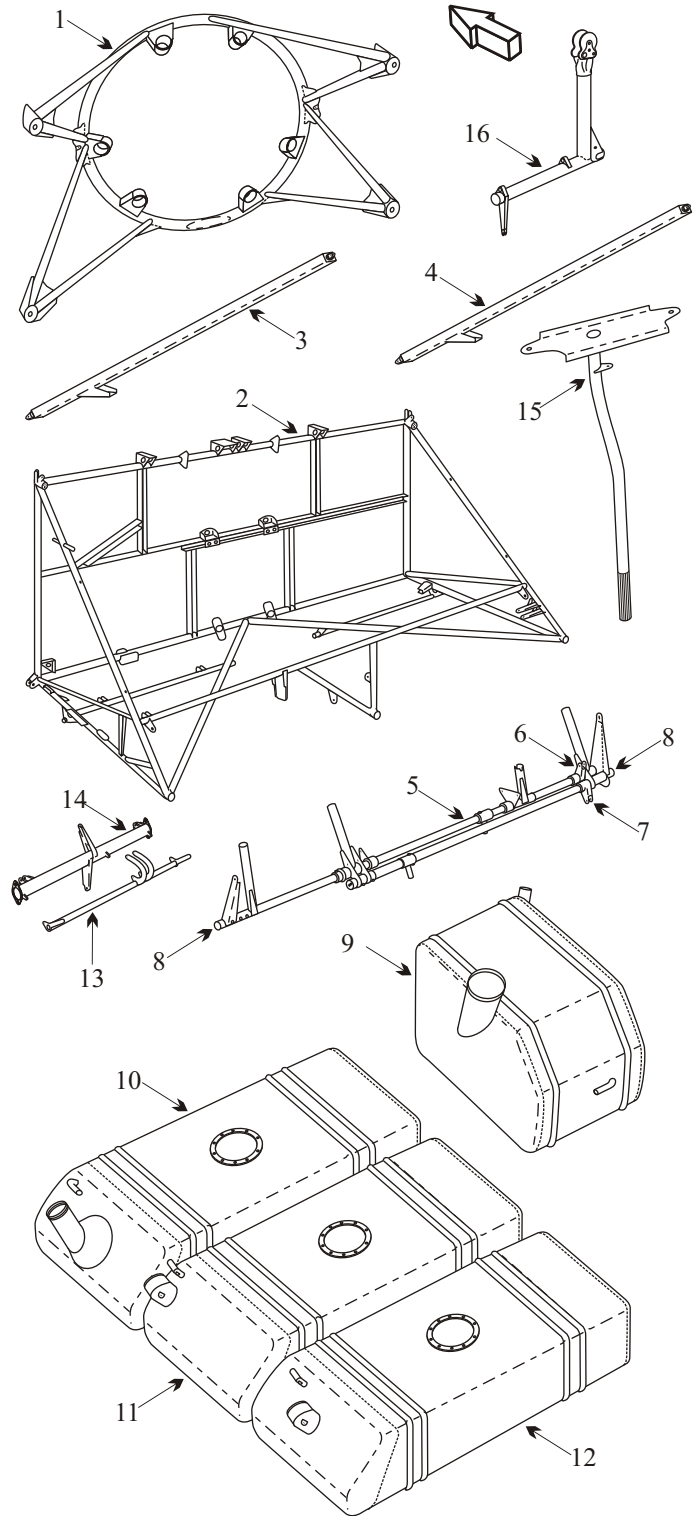


## DE HAVILLAND DHC-2 BEAVER WITH P&W R-985 ENGINE

Item	Part Number	Description
1	C2EM181-A	ENGINE MOUNT
-	C2EM4A	ENGINE MOUNT
2	C2FS3203A	FRAME FUSELAGE
-	C2FS1503A	FRAME FUSELAGE
3	C2FS3281A	STRUT FWD FUSELAGE LEFT HAND
3	302811-11	STRUT FWD FUSELAGE LEFT HAND STC
4	C2FS3282A	STRUT FWD FUSELAGE RIGHT HAND
4	302811-12	STRUT FWD FUSELAGE RIGHT HAND STC
-	C2CF1807	BEARING TORQUE TUBE
-	C2CF1809	WASHER TORQUE TUBE
-	C2CF1965A	RUDDER BAR ASSY PRE 1175
5	C2CF2049A	RUDDER BAR ASSY POST 1175
6	C2CF1969	LEVER TORQUE TUBE RUDDER BAR
7	C2CF1971	LEVER TORQUE TUBE RUBBER BAR
8	C2CF213	PLUG END TUBE RUDDER BAR
-	C2CF281A	BEARING RUDDER BAR PIVOT
-	C2E169AND	DUCT MAG COOLING
-	C2E181AND	DUCT MAG COOLING
-	C2E187AND	DUCT MEG COOLING
-	C2EC659A	SUPPORT BRACKET ASSY COWL MOUNT
-	C2EC693A	SUPPORT BRACKET ASSY COWL MOUNT
-	C2FS3582ND	STEP ASSY
9	C2LT321A	OIL RESERVOIR
9	C2LT7A	OIL RESERVOIR
9	C2LT95A	OIL RESERVOIR
-	C2PT141A	FUEL TANK LONG RANGE
10	C2PT1A	FUEL TANK FWD PRE 1376
11	C2PT2A	FUEL TANK CTR PRE 1376
12	C2PT3A	FUEL TANK AFT PRE 1376
-	C2PT445A	FUEL TANK WING TIP LEFT HAND
-	C2PT446A	FUEL TANK WING TIP RIGHT HAND
-	C2PT431A	FUEL TANK FWD POST 1376
-	C2PT433A	FUEL TANK CTR POST 1376
-	C2PT435A	FUEL TANK AFT POST 1376
13	C2T29A	TUBE ELEVATOR TRIM
13	C2T254-29	TUBE ELEVATOR TRIM
13	C2T254-31	TUBE ELEVATOR TRIM
14	C2T7A	TUBE ELEVATOR TORQUE
15	C2UT473	TUBE ASSY TORQUE
16	C2CF851A	CONTROL COLUMN



**AD 84-09-06**

Applies to all S/N's.  
Inspect the lower control column sub-assembly for cracks.  
Inspection required every 200 hrs of operation.

**AD 2002-14-28**

Applies to all S/N's.  
Replace front fuselage struts, then after 15 yrs inspect every 12 months visual and every 5 yrs. ultrasonically.  
Repetitive inspects relieved with strut replacement every 15 yrs.