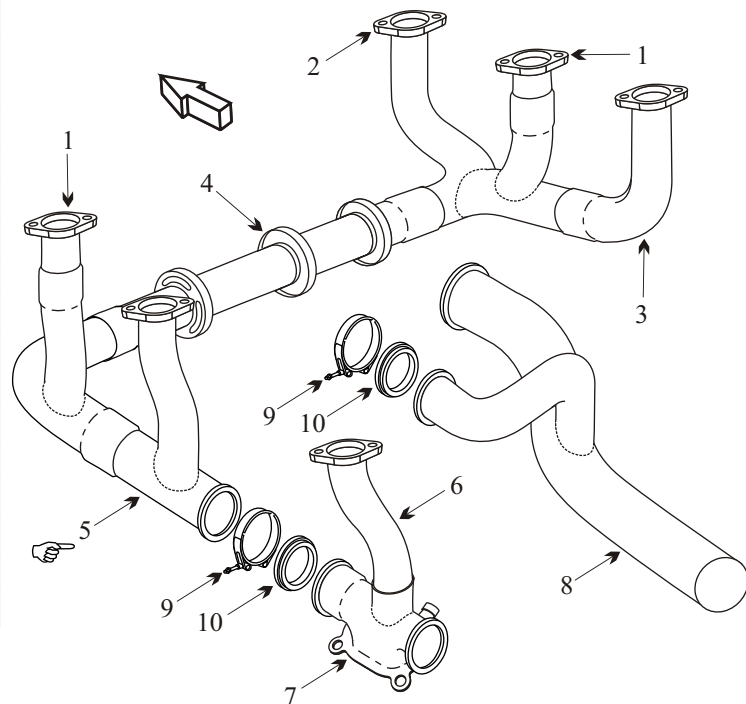


# MOONEY M-20M TLS BRAVO

WITH LYCOMING TIO 540-AF1A ENGINE SN 27-0001 AND ON

Item	Part Number	Description
1	LW-12728	RISER CYL #2 & #3
2	40B19822	STACK CYL #1 & #3
3	40B19825	RISER CYL #5
4	40B21089	CROSSOVER & CYL #2
5	40B19824	RISER CYL #4
6	40B19823	RISER CYL #6
7	47C19818	TRANSITION
7	47C22531	TRANSITION
NS	640325-501	SHROUD
8	630135-501	TAILPIPE & BYPASS ASSY
9	LW-12093-5	V-CLAMP
10	78084	GASKET
NS	77611	GASKET
NS	07A19834	TURBO BRACKET
NS	5900429-501	ENGINE MOUNT
NS	590048-501	ENGINE MOUNT
NS	J-9613-82	SHOCK MOUNT



- Inspect joints for freedom of movement and distortion.
- Inspect transitions for internal pitting and cracks, especially at the bypass area.
- Inspect tailpipe for thinning and internal corrosion.

 This part has a hot area at the elbow, inspect this area for black flaking metal and bulges.

## AD 2004-23-17

Mooney M-20M

Applies to S/N's 27-0001 thru 27-0321

Heat Shield, Heat Shield deflector and V-band clamp must be replaced with new parts.