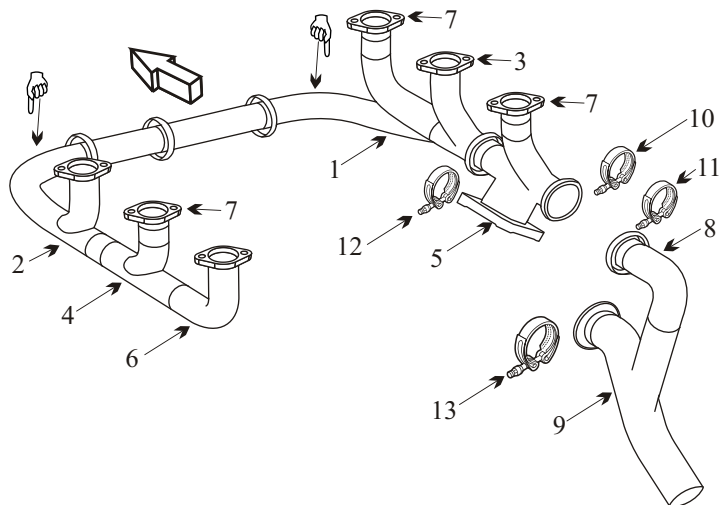


PIPER PA-32R-301T SARATOGA II TC PIPER PA-32-301 XTC

WITH LYCOMING TIO-540 AH1A ENGINE

Item	Part Number	Description
1	40B22315	EXHAUST STACK CYL #1
2	40B22304	EXHAUST STACK CYL #2
3	40B22303	EXHAUST STACK CYL #3
4	40B21921	EXHAUST STACK CYL #4
5	47C21912	TRANSITION CYL #5
6	40B21919	EXHAUST STACK CYL #6
7	40B19840	EXHAUST PIPE ADAPTER
8	40B22317	WASTEGATE PIPE
9	40B22316	TAILPIPE
10	LW-12125-3	CLAMP FORWARD OF WASTEGATE
11	LW-12093-6	CLAMP AFT OF WASTEGATE
12	LW-12093-5	CLAMP FORWARD OF TRANSITION
13	40D21162-340M	CLAMP TAILPIPE
NS	77611	GASKET
NS	78084	GASKET FORWARD OF TRANSITION
NS	75845	GASKET WASTEGATE
NS	07A22530	BRACKET TURBO MOUNT RIGHT
NS	07F19871	STRUT TURBO RIGHT
NS	38080-022	INDUCTION AIR BOX
NS	100923-002	ALTERNATE AIR BOX ASSY SN ³²⁴⁶⁰⁰¹ and on
NS	69768-00	HORN ASSY STREERING
NS	38729-021	ENGINE MOUNT SN ³²⁵⁵⁰⁰¹ and on (XTC)
NS	38727-022	ENGINE MOUNT SN ³²⁵⁷⁰⁰¹ and on
NS	J-9613-55/19	SHOCK MOUNT SN ³²⁵⁵⁰⁰¹ and on (XTC)
NS	VARIOUS	SEAT BASE



- Inspect transition header for cracks
- Inspect tail pipes for internal pitting and wall thickness especially at the outside radius, which is the thin section, and at support bracket.
- Slip fit stacks should be ordered as a complete assembly to ensure good joint integrity with smooth slip fits.

☞ This part has a hot area at the elbow. Inspect this area for black flaking metal and bulges.

AD 93-05-10

Piper PA32R-301T

Applies to S/N's 32R-8029001 thru 32R-8629006,
3229001 thru 3229003.

Inspect engine mount for cracks.

Inspection required every 100 hrs until compliance with
Part 2 of Piper SB 955 accomplished.