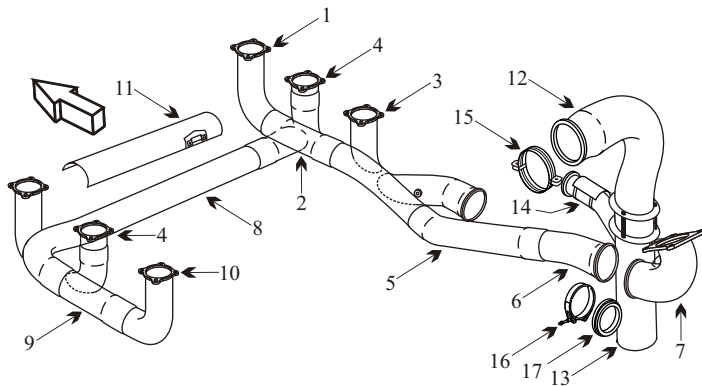


PIPER PA-31P-350 MOJAVE

WITH LYCOMING TIO/LTIO-540-V2AD ENGINE

Item	Part Number	Description
1	LW-18441	EXHAUST PIPE CYL #1
2	LW-18951	EXHAUST PIPE CYL #3
3	LW-18445	EXHAUST PIPE CYL #5
4	LW-18440	EXHAUST PIPE ADAPTER
5	LW-18514	EXHAUST PIPE INTER RIGHT
6	LW-18513	EXHAUST PIPE TRANSITION
7	LW-18588	TRANSITION
8	LW-18952	EXHAUST PIPE CYL #2
9	LW-18444	EXHAUST PIPE CYL #4
10	LW-18446	EXHAUST PIPE CYL #6
11	LW-18439	HEAT SHIELD
12	01439-04	TAILPIPE UPPER
13	01439-02	TAILPIPE LOWER
14	01439-03	TAILPIPE WASTEGATE
15	NH1005798-10	CLAMP TAILPIPE
16	LW-12093-7	CLAMP V-BAND
17	LW-18526	GASKET
NS	LW-18234	GASKET
NS	LW-18541	TURBO SUPPORT MOUNT
NS	01272-02	ENGINE MOUNT
NS	VARIOUS	SEAT BASE



- Inspect joints for freedom of movement and distortion.
- Inspect tailpipes for internal pitting and wall thickness especially at the outside radius, which is the thin section, and at support bracket.
- Slip fit stacks should be ordered as a complete assembly to ensure good joint integrity with smooth slip fits.