



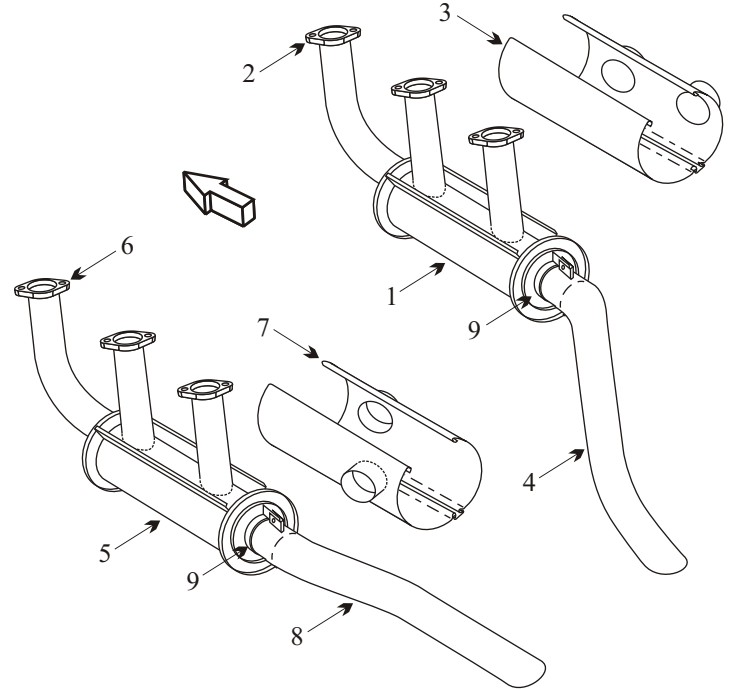
Exhaust Systems Engine Mounts Carb Air Boxes

Shrouds • Seats • Piston • Turbine • Radial • Vintage • And More...



MAULE M4 CONTINENTAL O300 A/B ENGINE

Item	Part Number	Description
1		MUFFLER ASSY RIGHT HAND
2		RISER STACK RIGHT HAND
3		SHROUD ASSY RIGHT HAND
4		TAILPIPE RIGHT HAND
5		MUFFLER LEFT HAND
6		RISER STACK LEFT HAND
7		SHROUD ASSY LEFT HAND
8		TAILPIPE LEFT HAND
9		CLAMP
-	627429	GASKET
-	5097X	ENGINE MOUNT
-	H-3006-1	SHOCK MOUNT



- Inspect flanges for corrosion as they could be mild steel not stainless steel.
- Inspect muffler for blisters or bulges under heat shroud.
- Inspect area where shroud attach brackets are welded to muffler.

(toll free) 1-888-388-8803 1-780-447-5955 Fax: 1-780-447-5980
sales@acornwelding.com parts@acornwelding.com www.acornwelding.com