



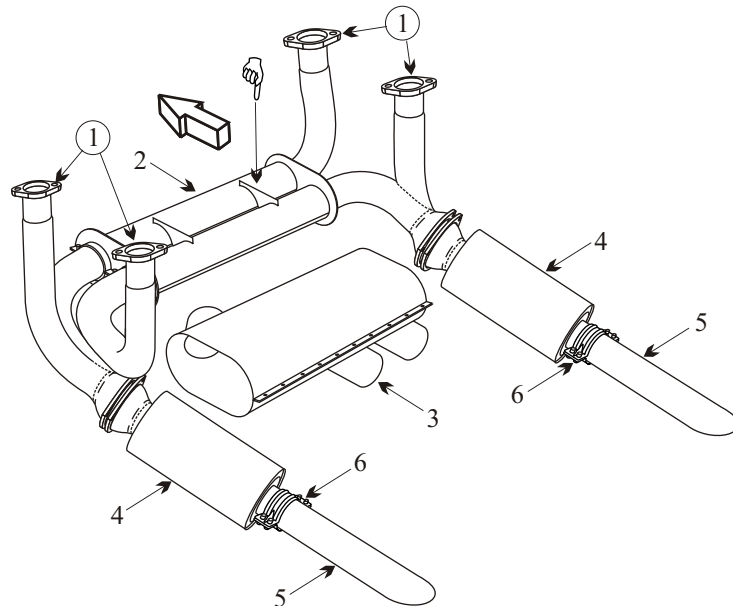
# Exhaust Systems Engine Mounts Carb Air Boxes

Shrouds • Seats • Piston • Turbine • Radial • Vintage • And More...



**MOONEY MARK-20 SN 1002-1200 WITH LYCOMING O320 ENGINE**  
**MOONEY MARK-20A / MOONEY MARK-20B**  
**SN 1201-1939 WITH LYCOMING O360 ENGINE**

Item	Part Number	Description
1	6033	EXHAUST OUTLET
2	6363	EXHAUST MANIFOLD SN <sup>1002</sup> <sub>1200</sub>
2	6363-1	EXHAUST MANIFOLD SN <sup>1201</sup> <sub>and on</sub>
3	6003	MANIFOLD SHROUD ASSY SN <sup>1002</sup> <sub>1534</sub>
3	6364	MANIFOLD SHROUD ASSY SN <sup>1535</sup> <sub>and on</sub>
4	6400	MUFFLERS
5	6185-7	TAILPIPE SN <sup>1002</sup> <sub>1590</sub>
5	6261	TAILPIPE SN <sup>1591</sup> <sub>and on</sub>
6	186-8A	CLAMP
-	77611	GASKET
-	011-254	SPRING KIT
-	6215	CARB AIR BOX
-	6235	CARB AIR BOX
-	6235-7	CARB AIR BOX
-	3006	ENGINE MOUNT SN <sup>1002</sup> <sub>1200</sub>
-	3409	ENGINE MOUNT SN <sup>1201</sup> <sub>and on</sub>
-	J-6320-1	SHOCK MOUNTS SN <sup>1002</sup> <sub>1200</sub>
-	J-7402-1	SHOCK MOUNT SN <sup>1201</sup> <sub>and on</sub>



☞ Flanges are most likely mild steel, inspect for corrosion and thinning.

● Inner flame tubes must be attached for the muffler to be serviceable.

**(toll free) 1-888-388-8803 1-780-447-5955 Fax: 1-780-447-5980**  
**sales@acornwelding.com parts@acornwelding.com www.acornwelding.com**