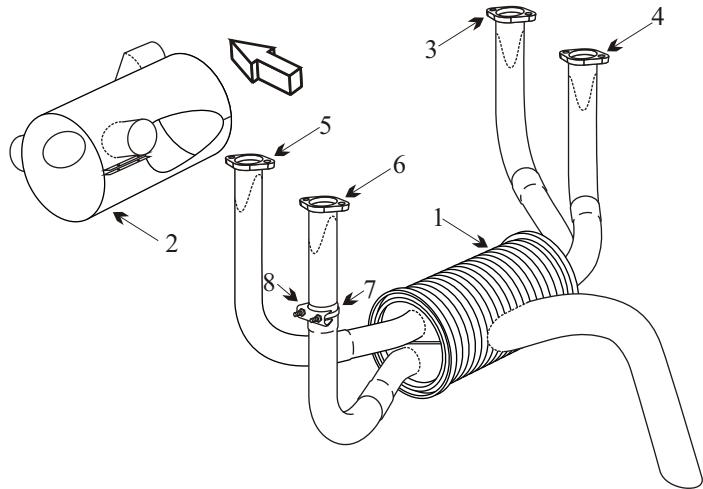


AVIAT HUSKY A-1/A-1A/A-1B

Item	Part Number	Description
1	81443	MUFFLER
2	81444	SHROUD
3	81446	RISER STACK CYL #1
4	81448	RISER STACK CYL #2
5	81447	RISER STACK CYL #3
6	81449	RISER STACK CYL #4
7	C10Y-30-6C	CLAMP
8	C10X-30C	CLAMP
NS	77611	GASKET
NS	35453-501	CARB AIR BOX ASSY
NS	35017-501	GEAR LEG ASSY LEFT HAND
NS	35017-502	GEAR LEG ASSY RIGHT HAND
NS	35016-501	ENGINE MOUNT
NS	J-7401-2	SHOCK MOUNT



- Inspect riser stacks for cracks at the flange reinforcement doublers , at the weld edges and the flange base. The inspection is more successful if the carbon residue is removed from inside the stack.