



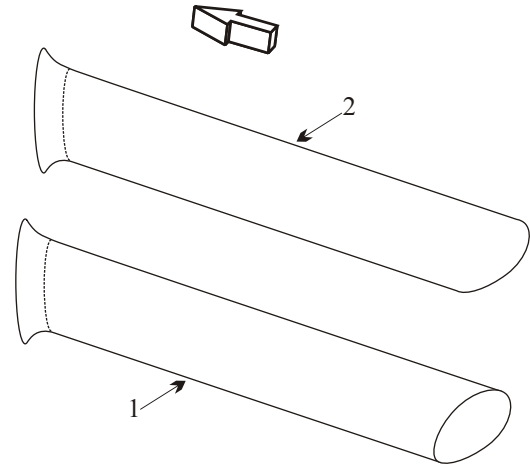
# Exhaust Systems Engine Mounts Carb Air Boxes

Shrouds • Seats • Piston • Turbine • Radial • Vintage • And More...



## FAIRCHILD MERLIN III/IIIA SA-226-T FAIRCHILD MERLIN IV/IVA SA-226-AT FAIRCHILD METRO II SA-226TC

Item	Part Number	Description	Code
1	27-62035-001	DUCT ASSY ASPIRATOR LEFT HAND	A
2	27-62035-002	DUCT ASSY ASPIRATOR RIGHT HAND	A
1	27-62035-009	DUCT ASSY ASPIRATOR LEFT HAND	B
2	27-62035-010	DUCT ASSY ASPIRATOR RIGHT HAND	B
1	27-62035-007	DUCT ASSY ASPIRATOR LEFT HAND	C
2	27-62035-008	DUCT ASSY ASPIRATOR RIGHT HAND	C
-	27-62035-901	DUCT ASSY ASPIRATOR LH OR RH	D
-	27-62002-001	ENGINE MOUNT	E
-	27-62010-005	SUPPORT FRAME ASSY ENGINE MOUNT	
-	27-62078-001	ENGINE MOUNT	E
-	27-62078-113	SUPPORT ASSY ENGINE MOUNT	E
-	VARIOUS	SEAT BASES AND BACKS	



### Usable on Codes

- A: SN T201-324 SN AT001-999 SN TC201-320
- B: SN T336-399
- C: SN T325-335 SN TC321-999
- D: Untrimmed to fit SN T201-999, SN AT001-999, SN TC201-999
- E: SN T276, T292-T999

- Inspect for warping, black flaking hot spots , mechanical wear and out of round.
- Inspect the truss area for mechanical wear and misalignment with the engine mount. Acorn has capabilities to repair your truss and engine mount for a standard stress free fit.

(toll free) 1-888-388-8803 1-780-447-5955 Fax: 1-780-447-5980  
[sales@acornwelding.com](mailto:sales@acornwelding.com) [parts@acornwelding.com](mailto:parts@acornwelding.com) [www.acornwelding.com](http://www.acornwelding.com)