



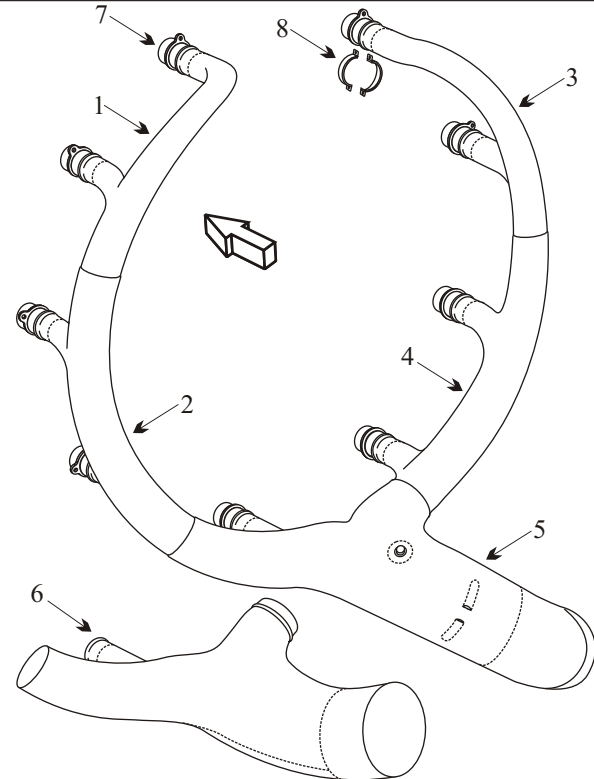
Exhaust Systems Engine Mounts Carb Air Boxes

Shrouds • Seats • Piston • Turbine • Radial • Vintage • And More...



NORSEMAN

Item	Part Number	Description
1	05-420129	EXHAUST PIPE LH CYL #1 & #2
2	05-420130	EXHAUST PIPE LH CYL #8 & #9
3	05-420129-1	EXHAUST PIPE RH CYL #3 & #4
4	05-420125	EXHAUST PIPE RH CYL #5 & #6
5	16-420205	EXHAUST OUTLET STACK CYL #7
6	16-420205	EXHAUST OUTLET CYL #7 WITH ^{INNER} STACK
7	05-42005	EXHAUST STUB ASSY 9 REQ
8	05S42003	CLAMP EXHAUST 9 REQ
-	16-31901	ENGINE MOUNT
-	16-47002	OIL TANK
-	P-5030	OIL TANK
-	29-47002	OIL TANK



- Acorn Welding has many years of experience with round engines. There are advantages to sending us your complete system when an overhaul or repair is required. It will ensure better joint integrity, a stress free system plus the inner cowling will stay cleaner from combustion by-products. With our system there should be no need for repairs between engine changes. We maintain standard factory sizes so new factory parts will fit.

(toll free) 1-888-388-8803 1-780-447-5955 Fax: 1-780-447-5980
 sales@acornwelding.com parts@acornwelding.com www.acornwelding.com