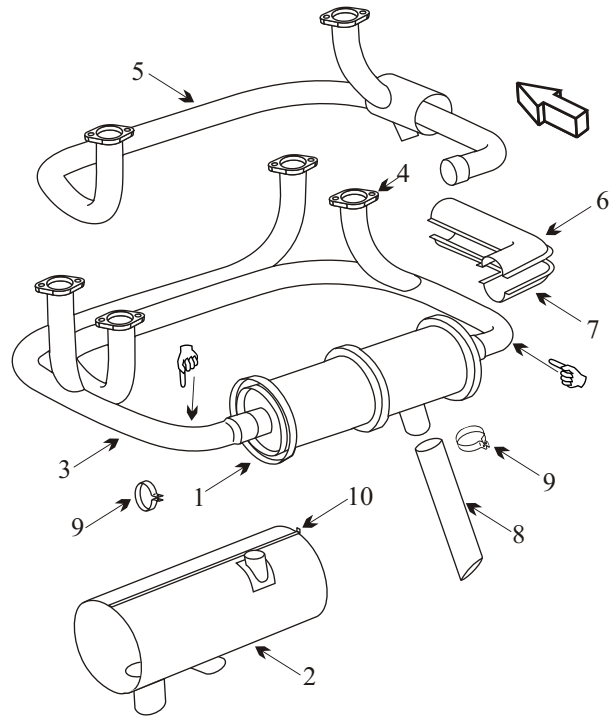


PIPER TRI-PACER WITH LYCOMING O290, O320 ENGINE PA-22 COLT & PA-20 PACER WITH LYCOMING O235 ENGINE

Item	Part Number	Description	Code
1	10308-003	MUFFLER	
2	12742-004	MUFFLER SHROUD	
3	12043-023	STACK ASSY FRONT	
3	12043-029	STACK ASSY FRONT	A
4	12043-022	STACK ASSY REAR	
4	12043-027	STACK ASSY REAR	A
5	13238-005	STACK REAR WITH REAR HEATER	
6	10843-003	CARB HEAT SHROUD UPPER	
7	10764-003	CARB HEAT SHROUD LOWER	
8	11417-002	TAILPIPE	
9	14235-000	CLAMP MUFFLER & TAILPIPE	
10	10430-000	SHROUD CLIP	
-	77611	GASKET	
-	11950-005	CARB AIR BOX	C
-	12746-004	CARB AIR BOX	B
-	11950-007	CARB AIR BOX	H
-	14253-004	CARB AIR BOX	D
-	14253-003	CARB AIR BOX	E
-	13765-004	CARB AIR BOX	F
-	13765-005	CARB AIR BOX	
-	13034-000	ENGINE MOUNT NOSE GEAR	
-	11786-000	ENGINE MOUNT PA-20 ^{115HP} _{125HP}	
-	11786-013	ENGINE MOUNT PA-20 ^{125HP} _{135HP}	
-	11786-012	ENGINE MOUNT PA-22 SN ¹ ₃₅₃	
-	11786-014	ENGINE MOUNT PA-22 SN ³⁵⁴ ₃₃₈₆	
-	11786-015	ENGINE MOUNT	I
-	STC-SA181RM	ENGINE MOUNT O360 ENGINE	
-	VARIOUS	SEAT BASE	
-	10849-034	FUEL TANK LEFT HAND	
-	10849-033	FUEL TANK RIGHT HAND	



AD 68-05-01

Inspect exhaust system for cracks, corrosion, heat damage or weld separations.
Less than 950 hrs of operation inspect every 100 hrs.
More than 950 hrs of operation inspect every 50 hrs.
Repair or replace if defects found.

- The muffler must have inner flame tubes still attached to be serviceable.
- Inspect wear areas on the aluminum shroud at shroud ring areas.
- Inspect the Y-joint at the aft cylinder stack for cracks.

☞ This part has a hot area at the elbow. Inspect this area for black flaking metal and bulges.

Usable on Codes

- A: PA-22 Colt and PA-20 Pacer
With Lycoming O235 engine
- B: PA-22 with 125HP w/o rear heater installed
- C: PA-22 with 125HP with rear heater installed
- D: PA-22 with 150HP & 160HP engine, All PA-20
- E: PA-22 SN 22-1760-2377 & SN 2379-2424
- F: PA-22 with 135HP with rear heater installed
- G: PA-22 with 135HP w/o rear heater installed
- H: PA-22 with 125HP & 135HP
With rear heater installed
- I: PA-22 SN 3387 and on, PA-22 Colt